

# 1

## 2 2.1

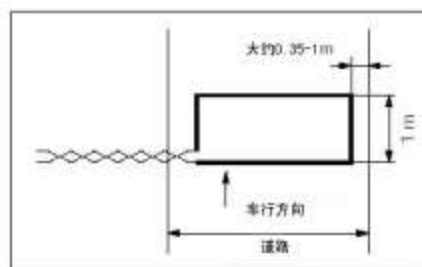
3 10 6-10 300mm 30  
6 100uH 300uH

( 100uH 300uH )

## 2.2

0.3 1 1 5

6M 1M\*2M



## 2.3

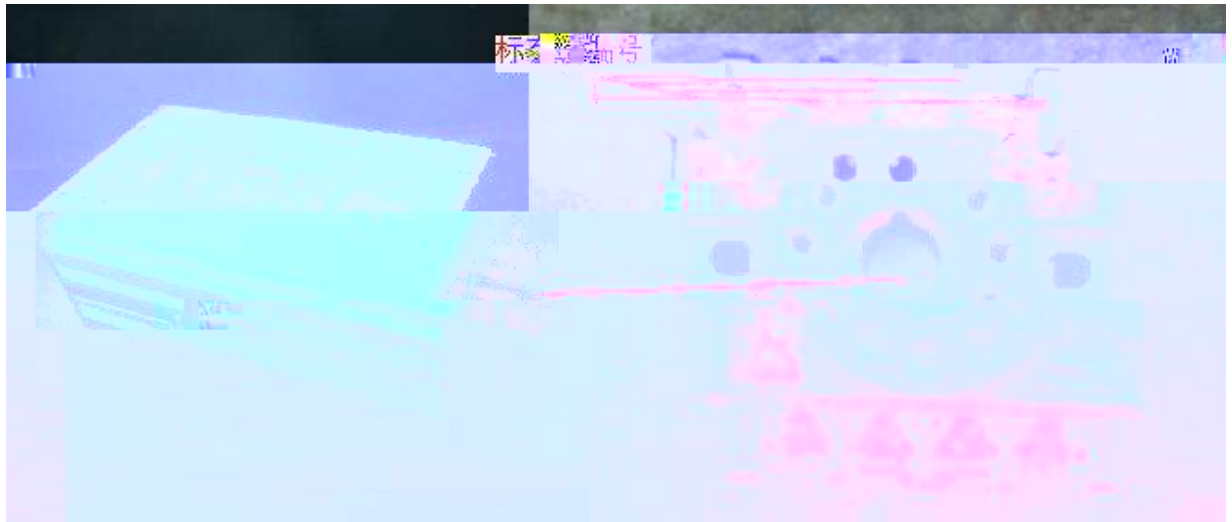
4 8 30 50 45

## 2.4

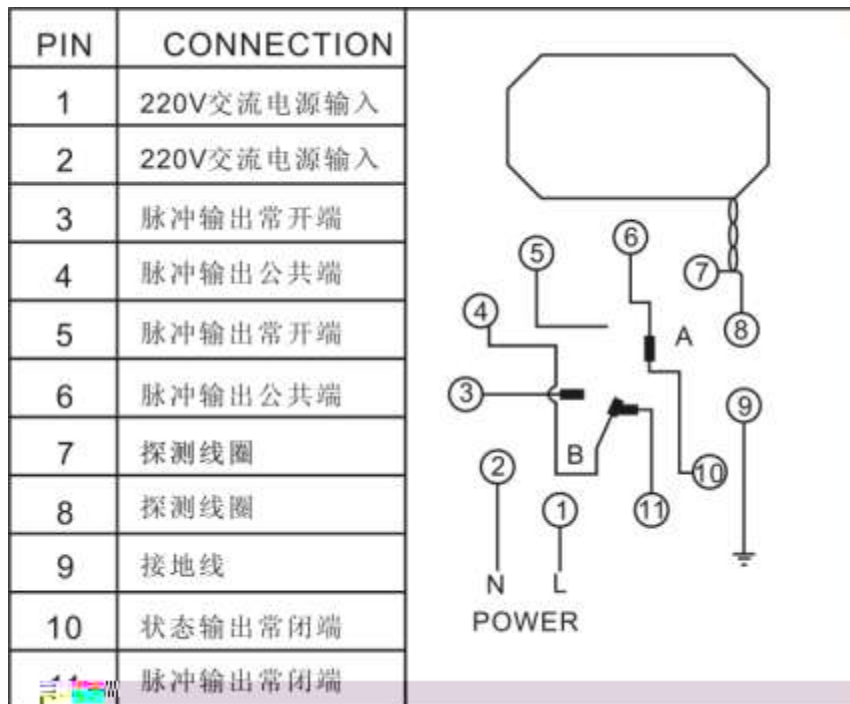
50mm

40mm

5.5

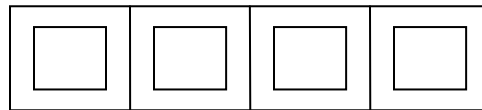
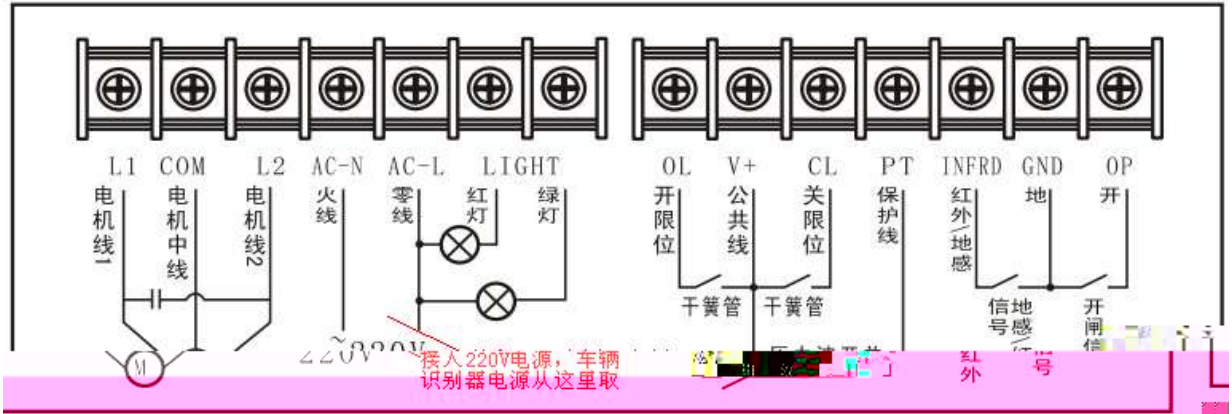


220V  
 220V  
 1 L 2 N 9  
 8 X3 5 6 ,6 5 24V- X0 2# 7



### 3

#### 3.1

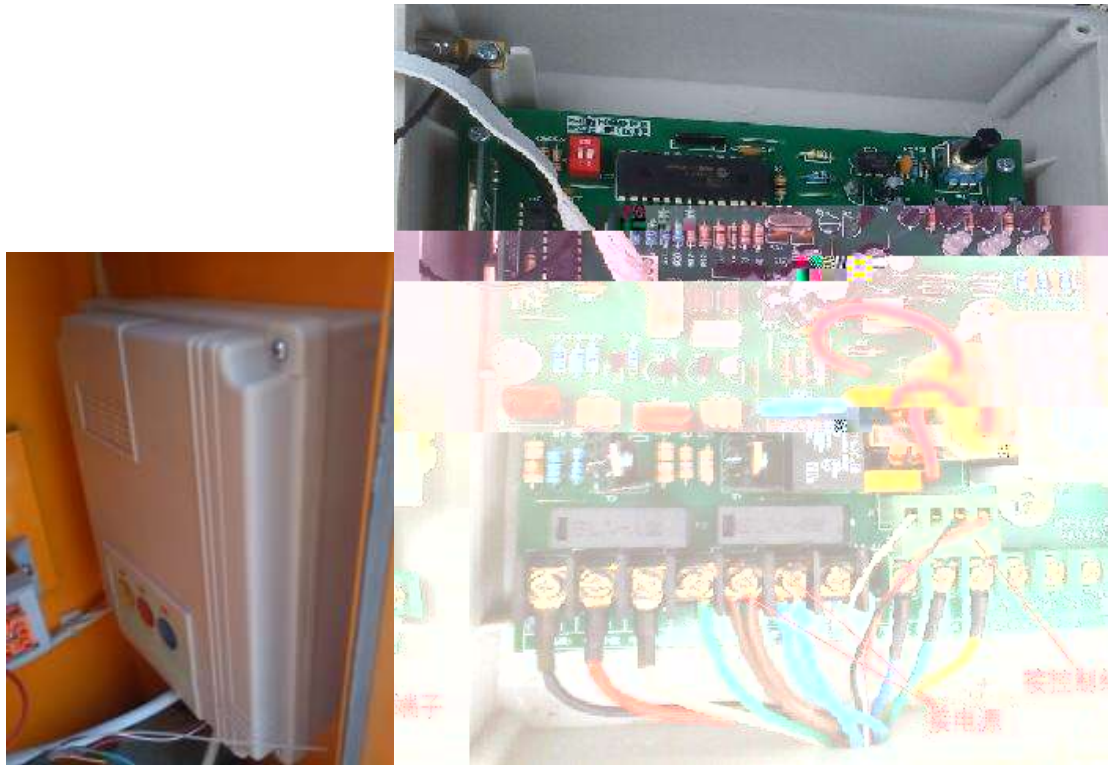


Y4

1#  
Y5

C2

2#



## 4

### 4.1

(1)

(2)

+12V RT

AL1 AL2 12V

2

AL1 AL2

AL1 AL2

RVV3× 0.3<sup>2</sup>

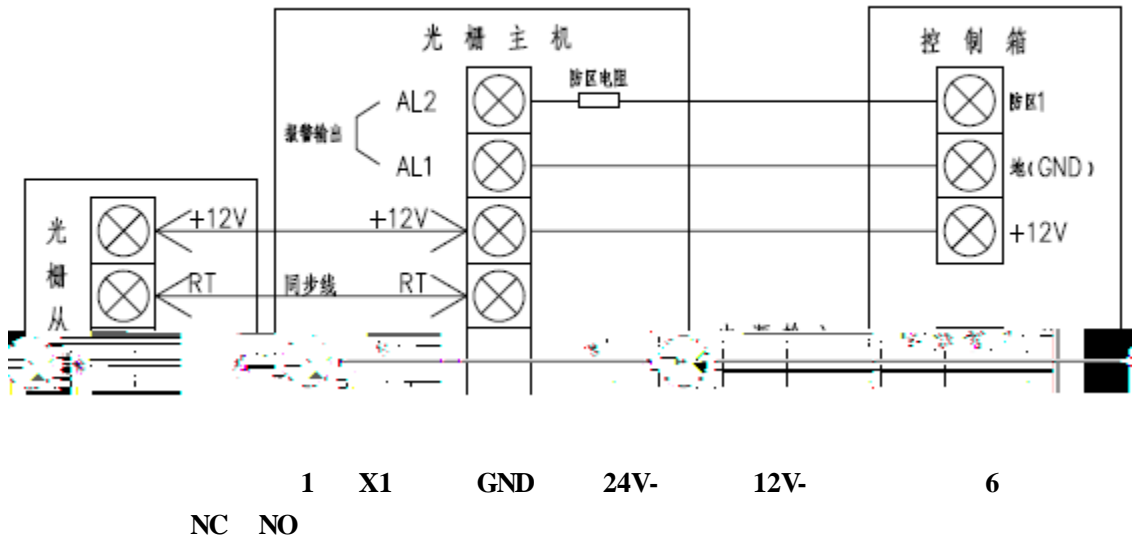
RVV4× 0.3<sup>2</sup>

+12V

+12V " "

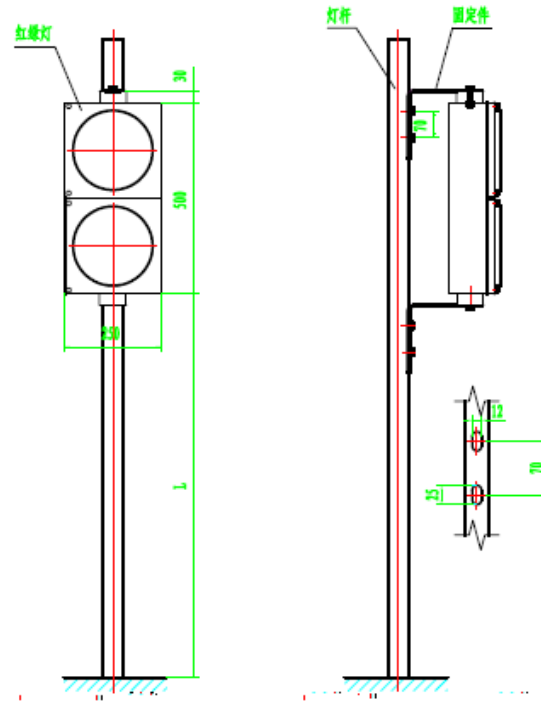
RT " "

(3)



5





5.1

- 1
- 2
- 3
- 4
- 5
- 6

5.2

220V

3\*1mm<sup>2</sup>

Y0

Y1

L





BNC  
3~5mm

1cm~1.5cm  
BNC BNC

## 7

		RF-35LT
	MW9801	
2	4	232

### 7.1





5V 4 4

232 9 2 3 3 2 5 5.

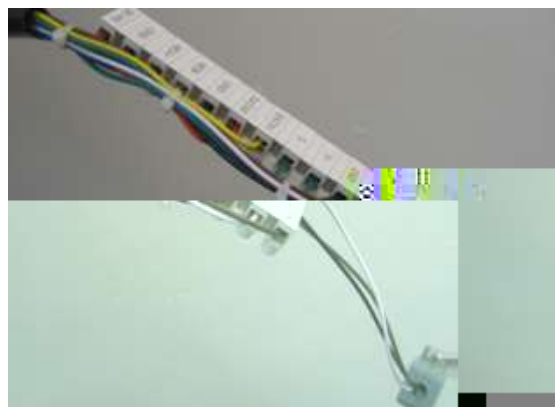
7.2

+9V/2.6A MW9801 9801 RS232

1



1 9801



2 9801A



---

7.2.1

2 9801A

	232TX	RS232
	232RX	RS232



---

20~25°

3 232  
9

2

3

5

**8**

