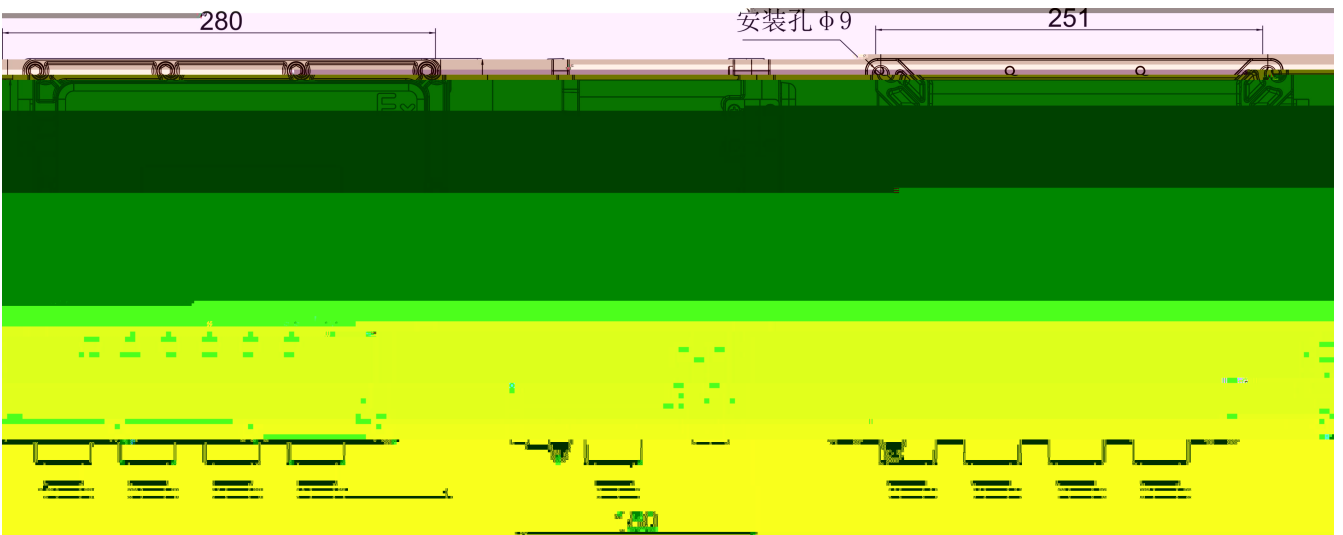


Ex - XK3101C1

1	2
	2
	2
	2
2	2
	2
	3
	3
	3
	3
	3
	3
	3
	3
	3
	4
	4
	4
3.4.1	4
3.4.2	4
3.4.3	4
3.4.4	5
	5
	5
	5
4.2.1	5
4.2.2	6
4.2.3	6
4.2.4	6
4.2.5	7
4.2.6	7
4.2.7	10
4.2.8	<i>PROFIBUS-DP</i>	10
	11
4.3.1	11
4.3.2	0	12
4.3.3	1	14
4.3.4	2	16
4.3.5	17
	17

	17
	18
	19
5.3.1	20
5.3.2	22
	25
	26
	26
	26
	27
	28
	28
1	29
	30
	31
	32
	33
	34
	35

1



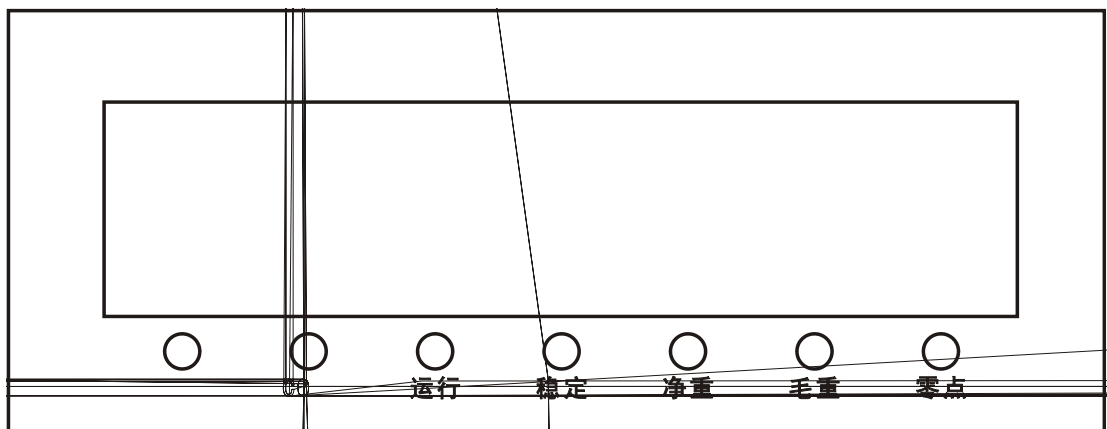
G3/4

2

7 LED

7

LED



	1/4d
COM1	1 MODBUS 1/2
COM2	2 Profibus DP

Ex-XK3101C1

	()
	1

3.4.1

3.4.2

(), _no_
E--2
E--2

3.4.3

E--2
E--2
E--2

3.4.4

4.2.5

RS232 RS485

D()	1
D()	2
C M	3
485-A	4
485-B	5

4.2.6

/

4

6

1(1)	1
2(2)	2
3(3)	3
4(4)	4
5(5)	5
6(6)	6
+12 (+)	7
0 (-)	8
IN1(/)	9
IN2()	10
IN3()	11
IN4()	12

4.2.6 .1

0V

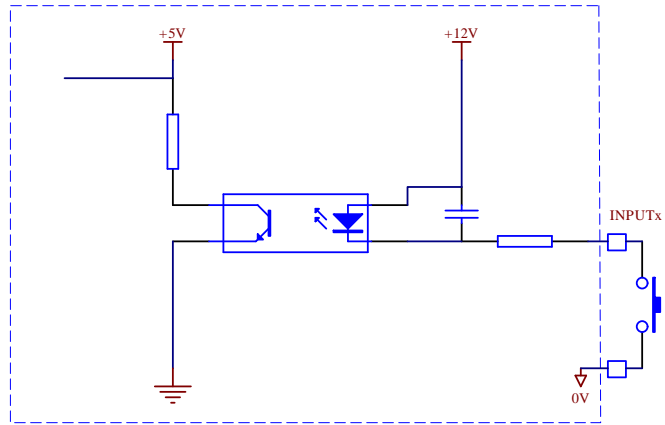
50

3

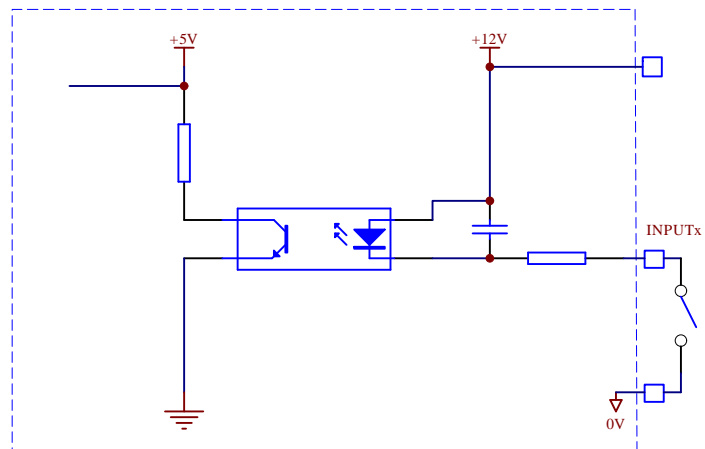
100

5

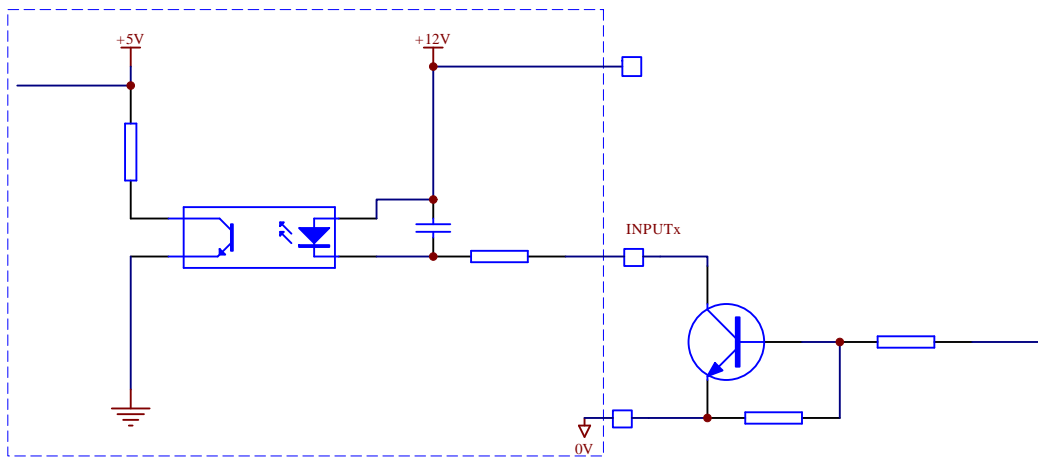
a



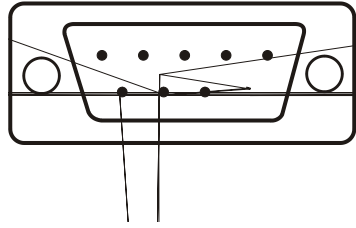
b

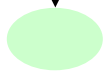
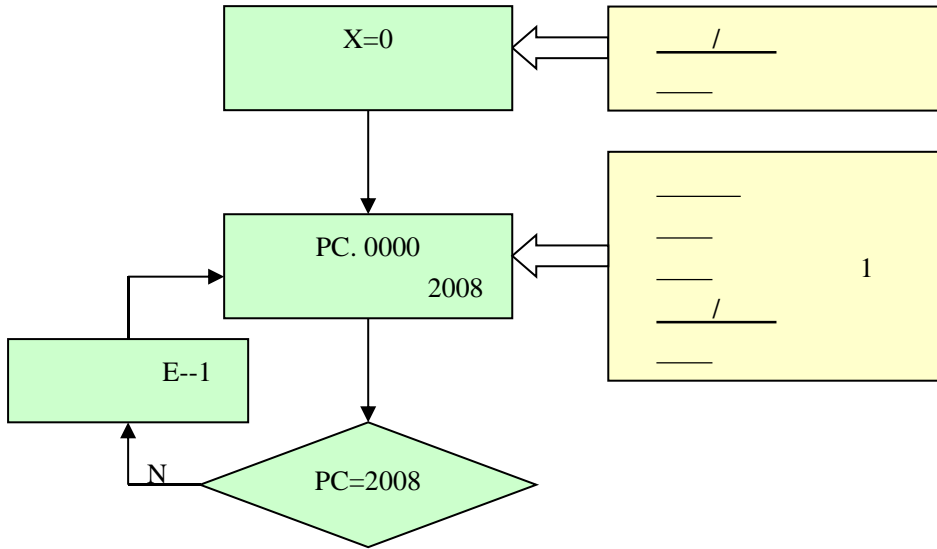


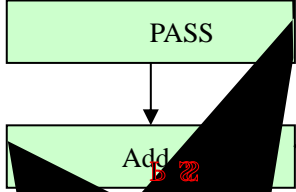
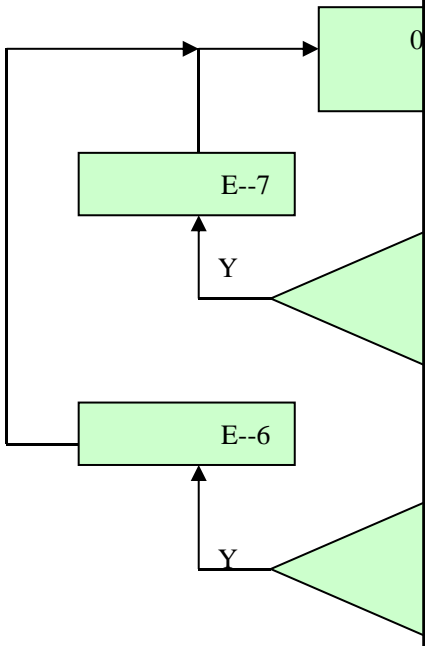
c



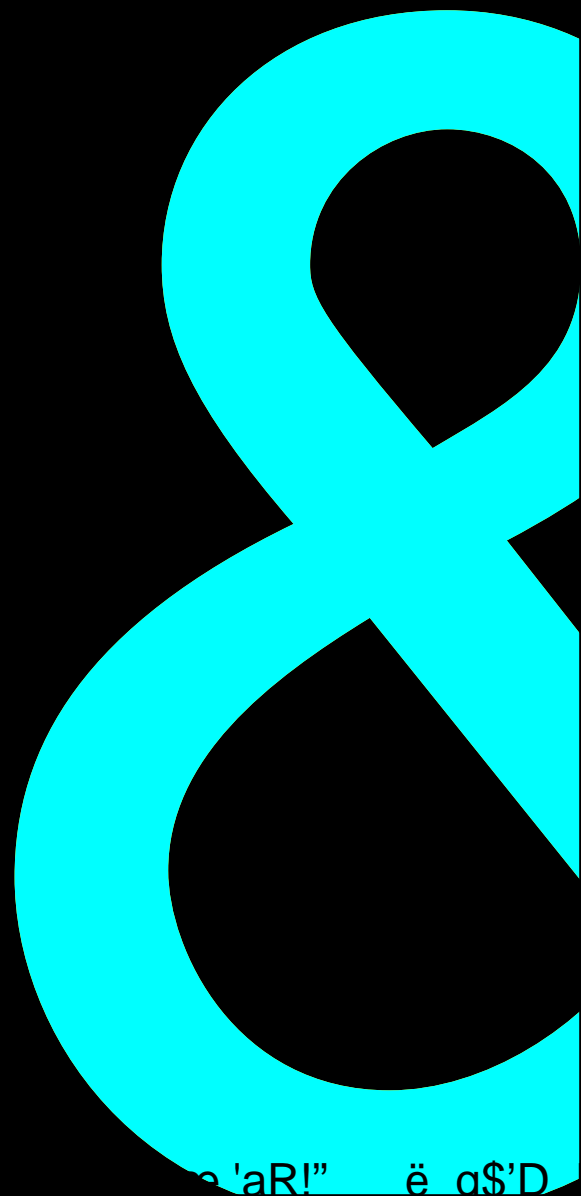
— | > ≈ —



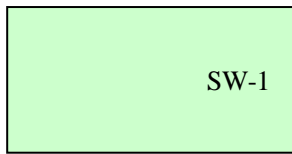
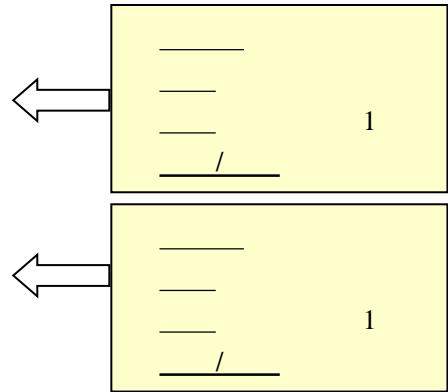
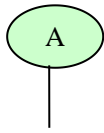




bF*YS,,F*YS,, b%hÅ / vDR

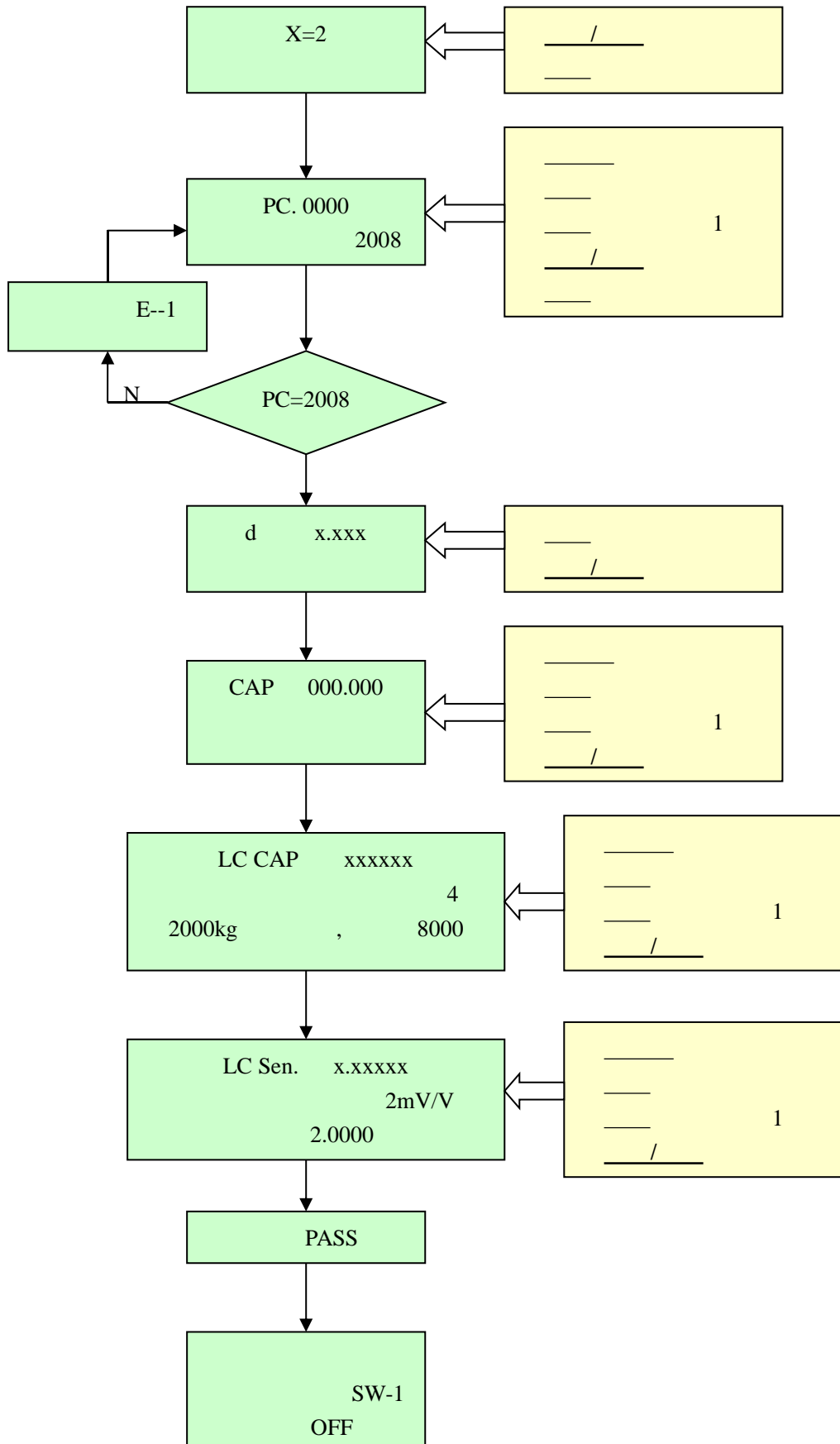


...e'aR!" è a\$'D



η! ηαβαηη — 0 Β ρ α η — Ε λ) ε # ε λ ε

55 • È Á 0



4.3.5

A L 1

CF0

SW-1 OFF

F2() F3() F4() F5(

)

F2.1

x 0

x 1

F2.2

x 0

x 1 100%FS

F2.3

x=0

x=4 4%FS

x=10 10%FS

x=20 20%FS

F2.4

x=0

x=0.5 0.5d/

x=1 1d/

x=3 3d/

F2.5

x 0

x 1 0.5d

x 2 1d

x 3 3d

x = 1	1	A	1
x = 2	2	B	2
x = 3		D	

F3.6

0~99

F3.7 Profibus-DP

x=0	Profibus-DP
x=1	Profibus-DP

F4.1

- x=0
- x=1
- x=2
- x=3

F4.2

- x=0
- x=1

F4.3

- x=0
- x=1

F4.4 x=0-9

F4.5 x=0-9

F4.6 x=0-9

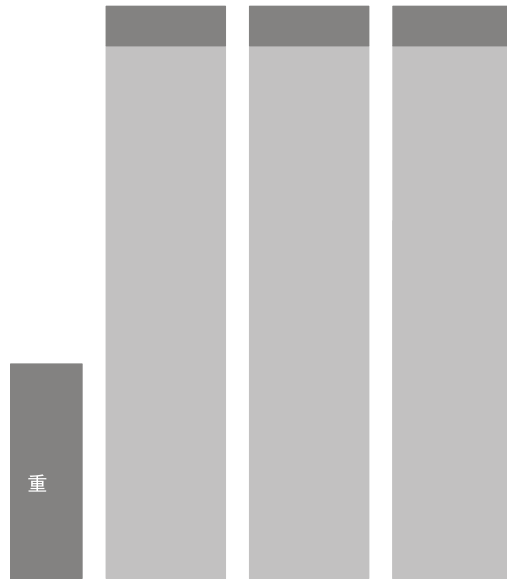
F4.7

ToL1	1	0
ToL2	2	0
ToL3	3	0
ToL4	4	0

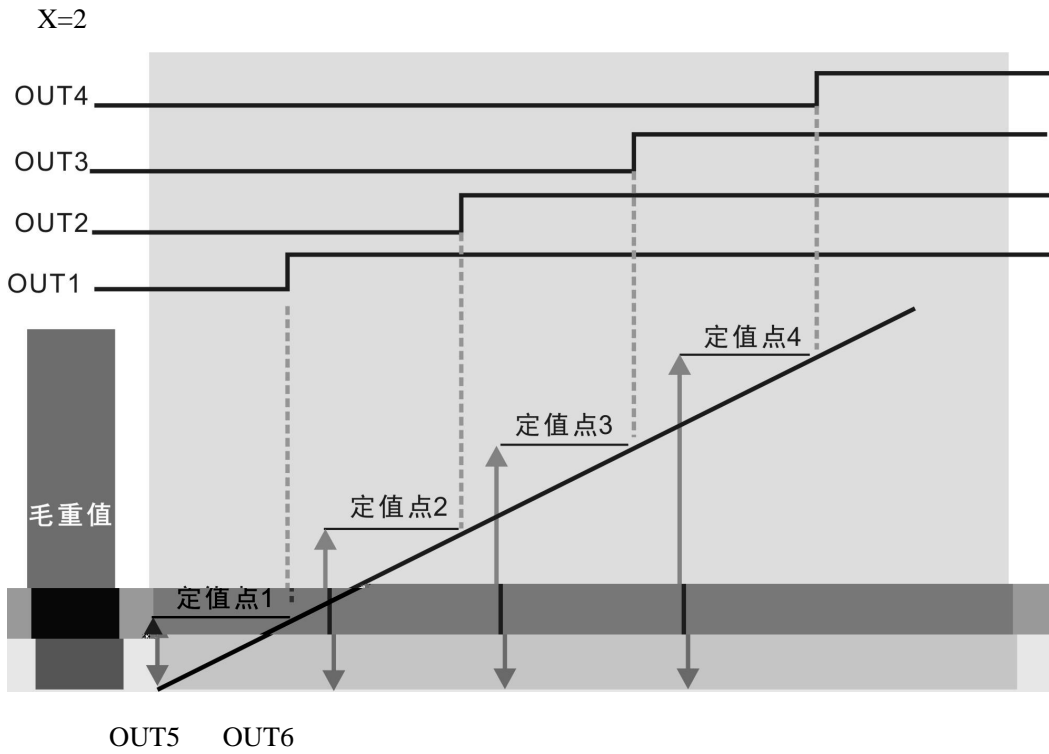
5.3.1

a

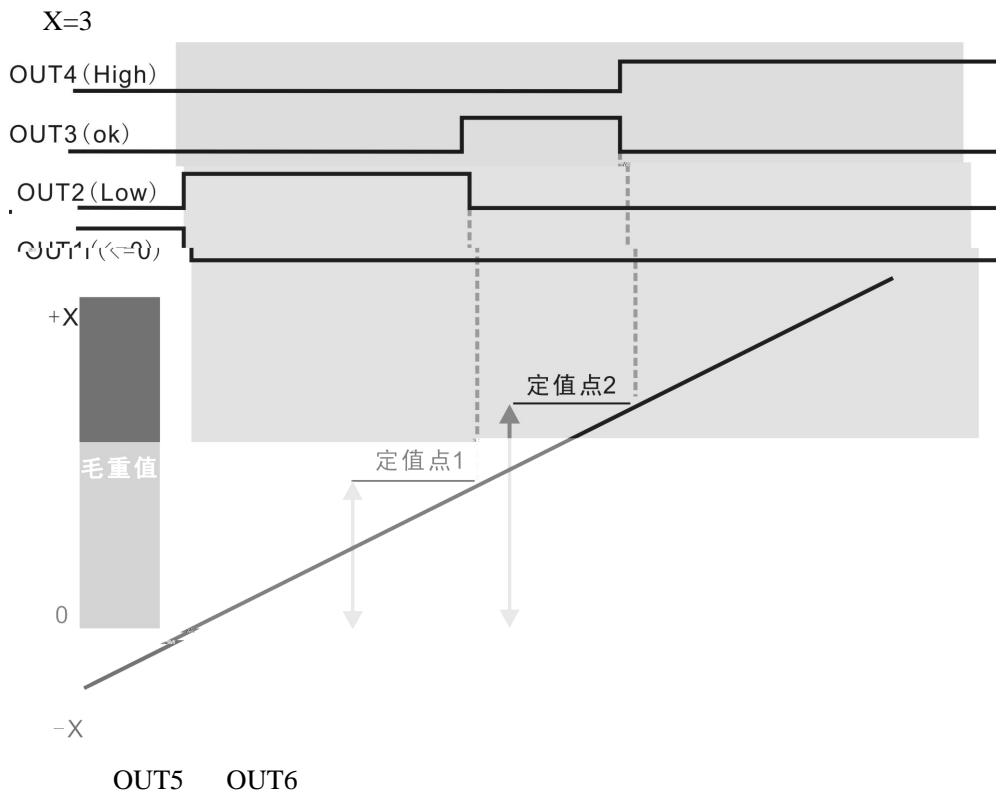
X=0



c

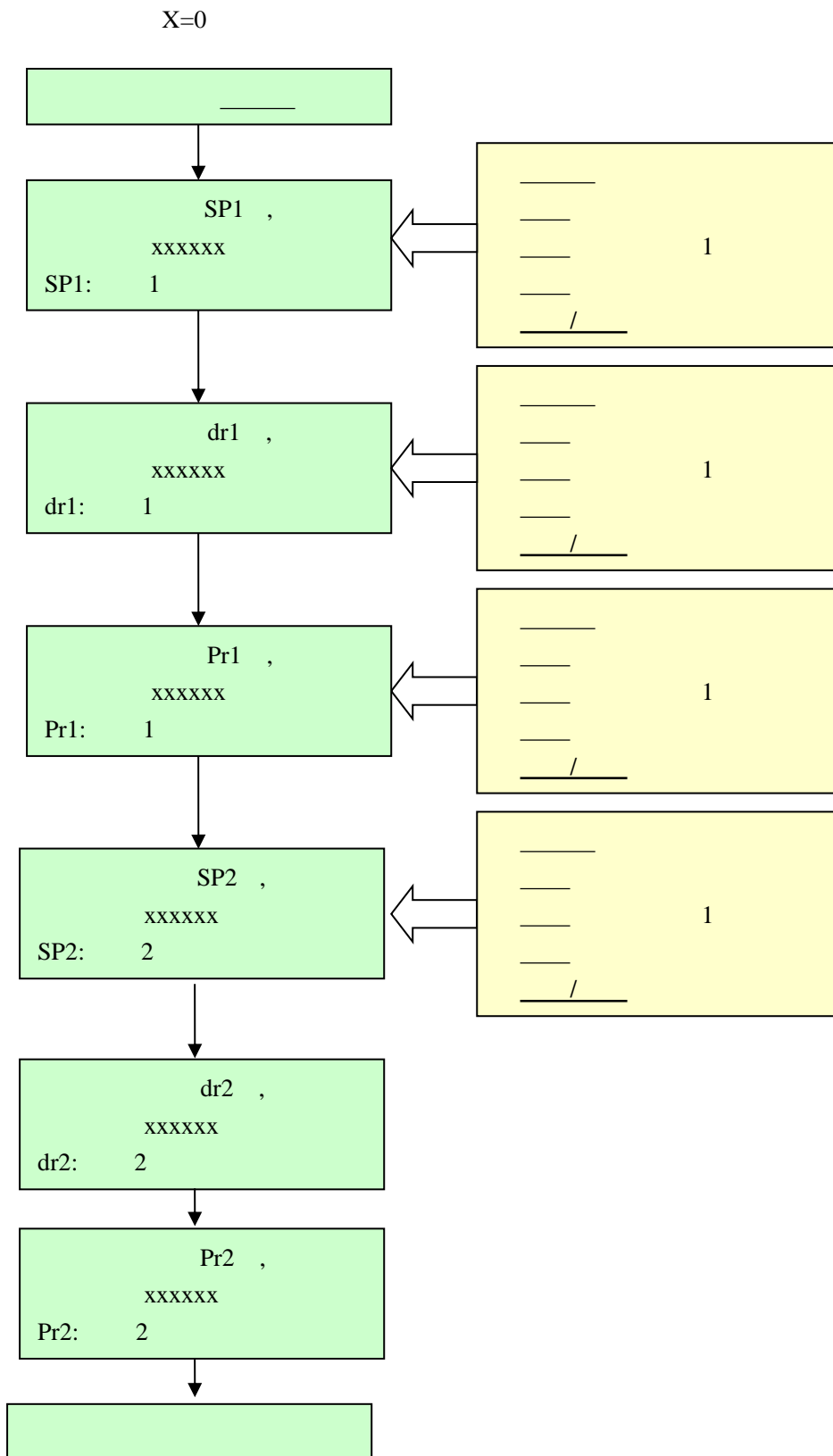


d



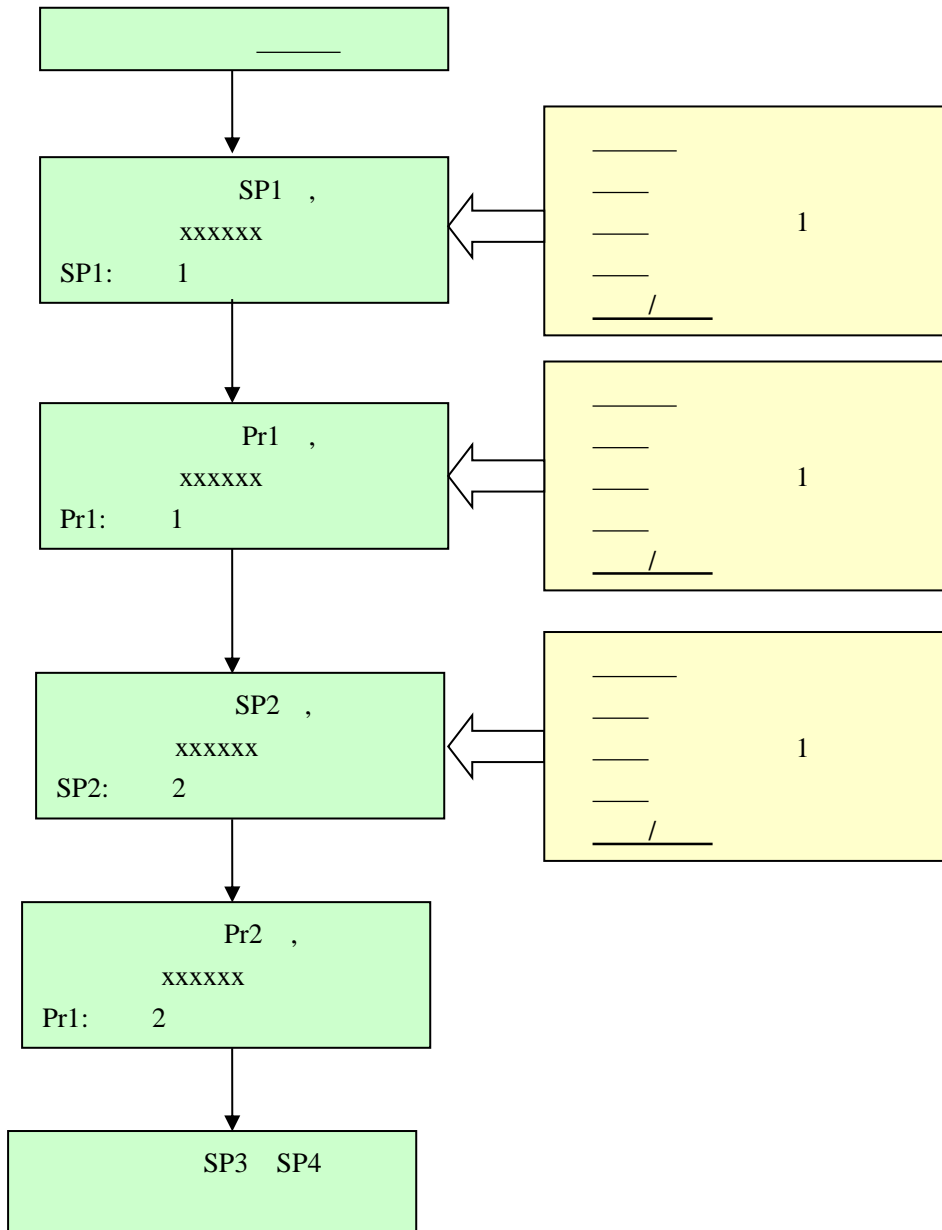
5.3.2

a



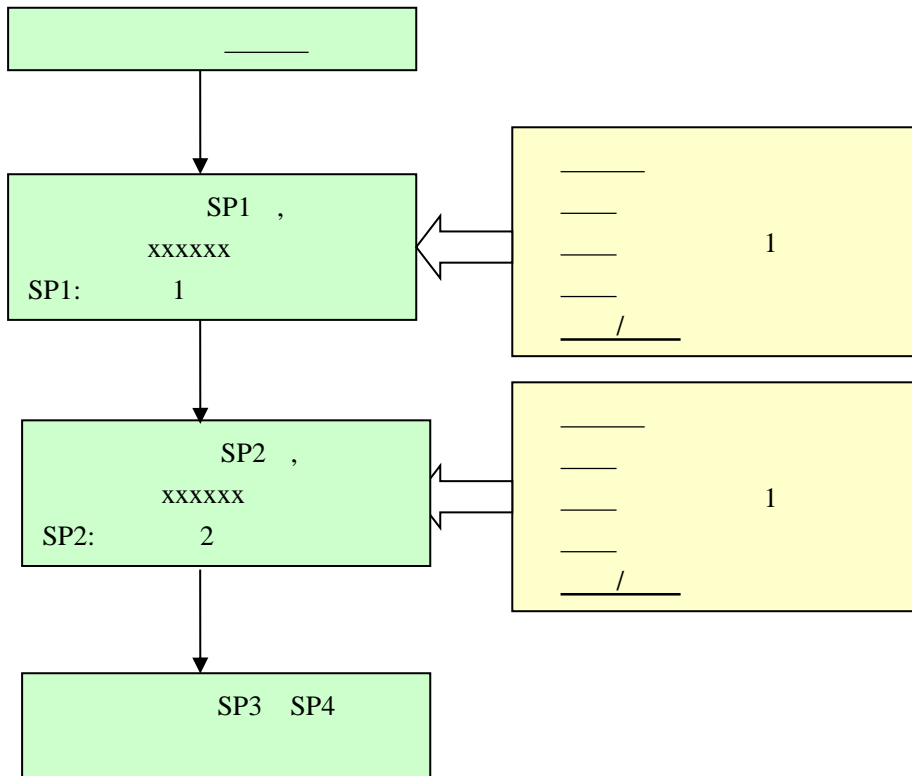
b

X=1



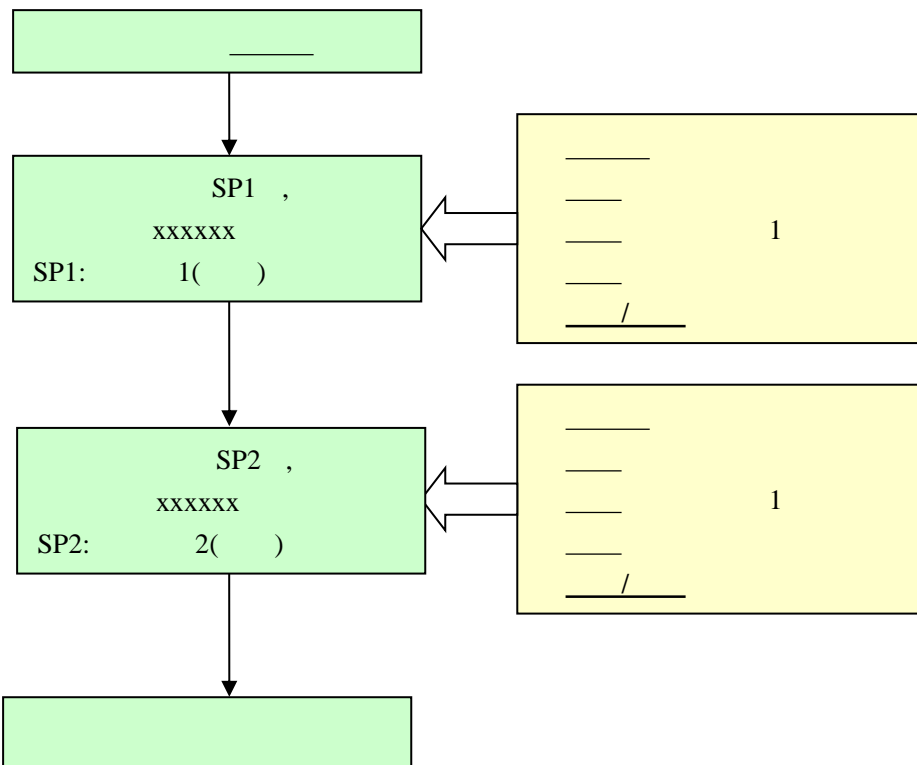
c

X=2



d

X=3



F5.1

x=0

x=4-20 4~20mA

x=0-10 DC0~10V

F5.2

x=0

x=1

[0 FAS]

_____ / _____

5.2

[0 SLO]

_____ / _____

[S FAS]

_____ / _____

[S SLO]

_____ / _____

1	E -- 1			
2	E -- 2			
3	E -- 3	3		
4	E -- 4	Profibus		Profibus
5	E -- 5			
6	E -- 6			
7	E -- 7			0
8	- - -			
9	.L/- .L	/		1 2 3
10	AdC-Err			
11	SC 0000			SW-1

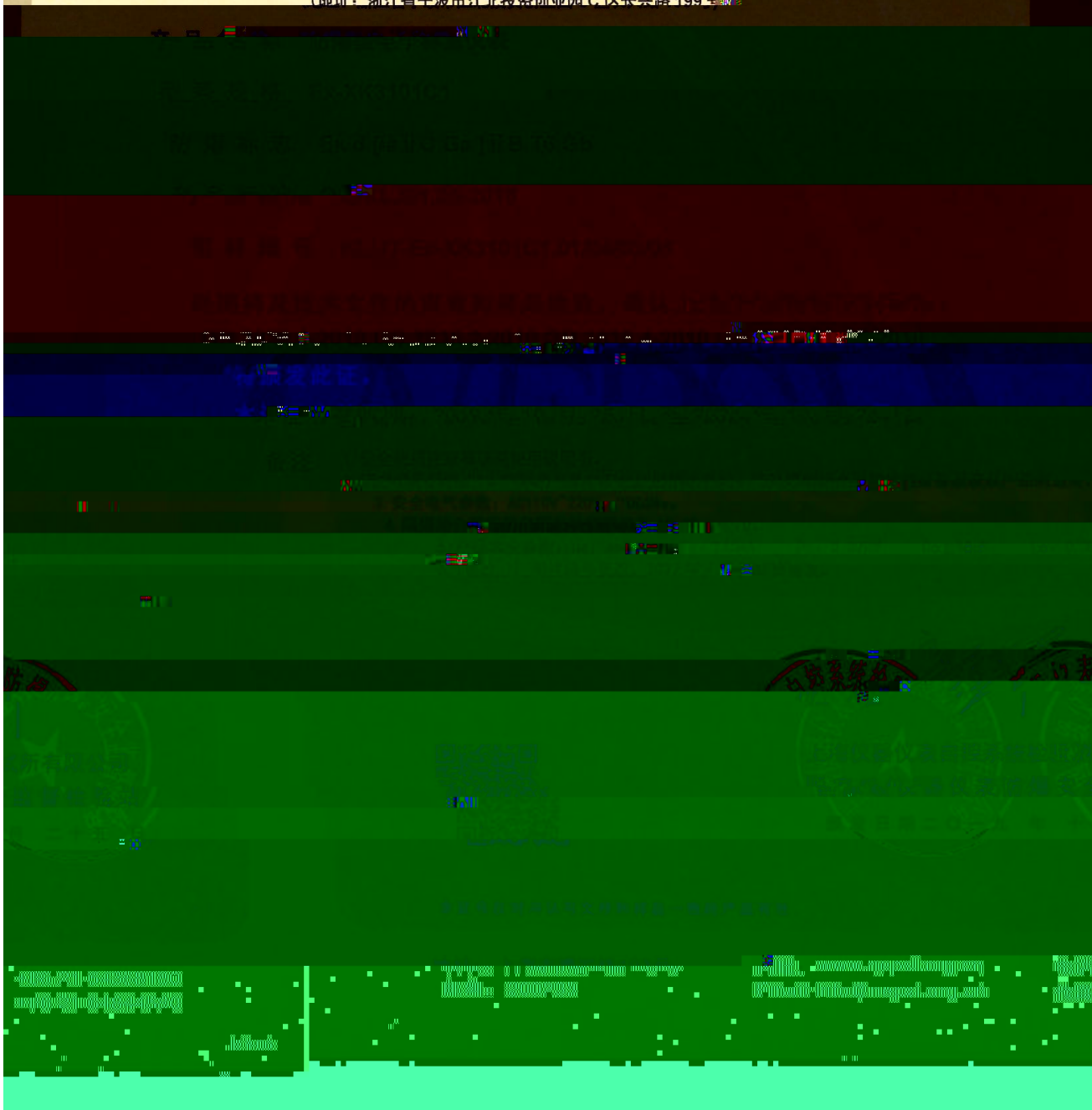


防爆合格证

证号: GYB19.2534X

制造商 宁波柯力传感科技股份有限公司

(地址: 浙江省宁波市江北投资创业园C区长兴路199号)



接线盒SBC、T型



2

1 SBC

-30~+60

2 T

-30~+60

1

18 (Bytes)

RS232 RS485

1																	
STX	A	B	C	X	X	X	X	X	X	X	X	X	X	X	X	CR	CKS
1	2		3			4				5	6						

1. <STX> ASCII (02H)
2. A, B, C
3. , 6
4. 6
5. <CR> ASCII (ODH)
6. <CKS>

A			
B 0, 1, 2			
0	1	2	
0	1	0	0
1	1	0	0.0
0	0	1	0.00
1	0	1	0.000
B 3, 4			
3	4		
1	0		X1
0	1		X2
1	1		X5
B 5			1
B 6			0

B	
B 0	= 0, = 1
B 1	: = 0, = 1
B 2	() = 1
B 3	= 1
B 4	1
B 5	1
B 6	

C	
B 0	0
B 1	1
B 2	0
B 3	0
B 4	0
B 5	1
B 6	0

RS232 RS485

8

7

0

=	0							0D	0A

12345

0012345

=	0	0	1	2	3	4	5

1234.5

01234.5

[3.5 = 0]
8
MODBUS
RTU

Modbus
1
03 06

RS232 RS485
MODBUS

03 modbus 4

40001		
40002		
40003		
40004		
40005		1
40006	()	2
40007	()	2
40008	()	2
40009	SP1(1,)	
40010	SP2(1,)	
40011	SP3(1,)	
40012	SP4(1,)	
40013	DR1()	
40014	DR2()	
40015	PR1()	
40016	PR2()	
40017	PR3()	
40018	PR4()	
40019	TOL1()	
40020	TOL2()	
40021	TOL3()	
40022	TOL4()	
40023		0-9
40024		0-9
40025		0-9
40026	()	
40027	0 (1)	
	1 (1)	
	2 (1)	
	3 (1)	
	4 (1)	
	5	
	6	

1 x 0 1 2 3 10^x
2 32767
10⁻
1 876.8kg 0.2kg 876.8/0.2=4384 2
4384 2 10⁻¹=876.8kg

600 9 1 1
 3

 9 0
 D0 D1 D2--- 0-3
 D3 1- 0-
 D4 / 1- 0-
 D5
 G17 G16
 9 0
 G15~G8
 9 1
 G7~G0
 G0~G17 18

8
2

4

4

	1	2	3	4	5	6	7	8

1	0	0->1	0	1				
	1	0->1	0	1				
	2	0->1	0	1				
	3	0->1	0	1				
	4	0->1	0	1				
	5							
	6							
	7							
2								

F 2		
F3		
F 4		
ToL1	1	
ToL2	2	
ToL3	3	
ToL4	4	
G 5		

1	E - K3101C1			1	
2				1	
3				1	
4	COMBICON /3 -5.08			1	
5	COMBICON /5 -3.81			1	
6	COMBICON /12 -3.81			1	
7	COMBICON /3 -3.81			1	()

800-857-4165 400-887-4165

0574-87562289

315033

<http://www.kelichina.com>

1		A5	A4
2		70g	200g
3			
4			
5		70g	80g
6			
7			