



•

•

1	2
1.1	2
1.2	2
1.3	10.9KG	2
2	2
2.1	2
2.2	3
2.3	3
2.4	3
2.5 PROFIBUS	3
2.6	3
2.7	3
3	3
3.1	3
3.2	4
3.3	4
3.4	4
3.4.1	4
3.4.2	4
3.4.3	4
3.4.4	5
4	5

4.1	5
4.2	5
4.2.1	5
4.2.2	6
4.2.3	6
4.2.4	6
4.2.5	7
4.2.6	7
4.2.7	10
4.2.8	PROFIBUS-DP	10
4.3	11
4.3.1	11
4.3.2	0	12
4.3.3	1	14
4.3.4	2	16
4.3.5	17
5	17
5.1	F2	17
5.2	F3	18
5.3	F4	19
5.3.1	20
5.3.2	22
5.4	F5	25

6	26
6.1	26
6.2	26
7	26
A	1 F3. 5=1	27
B	2 F3. 5=2	28
C	MODBUS F3. 5=0	29
D	F3. 5=3	30
E	PROFIBUS-DP	31
F	32
	33

°C~ °C

1

-
-
-
-
-
-

■

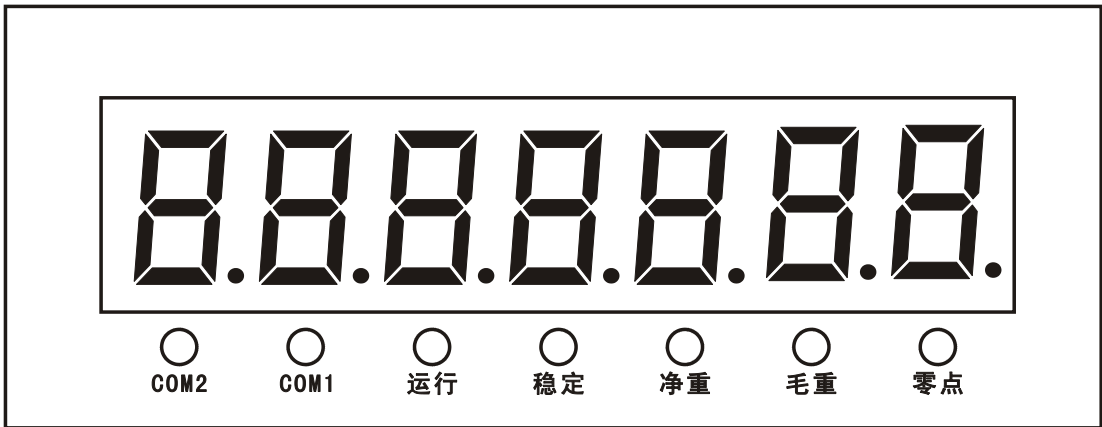
■

||

!

≡

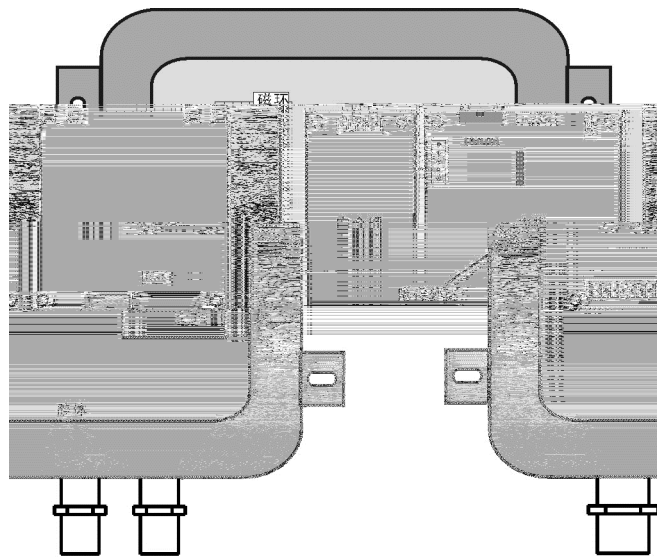
°C °C
°C °C

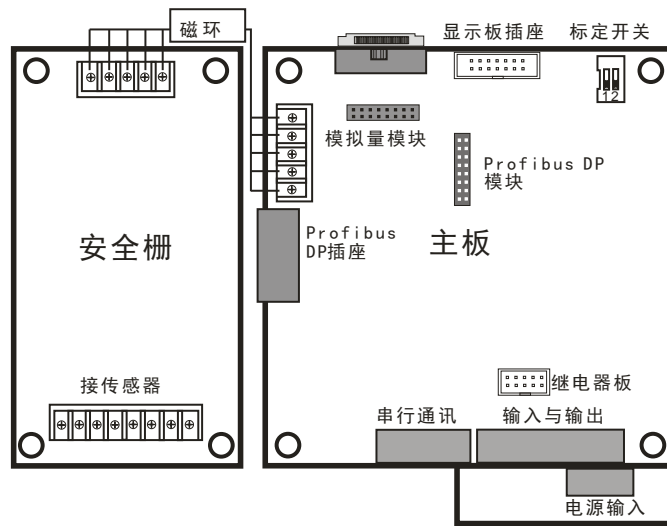


(1) Ex-XK3101C

Ex-XK3101C

(2) Ex-XK3101C

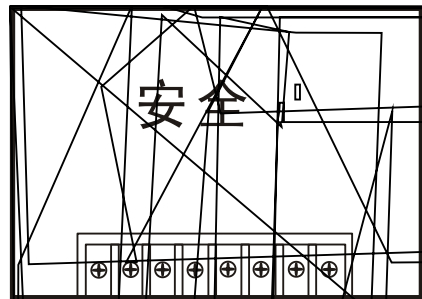




卍

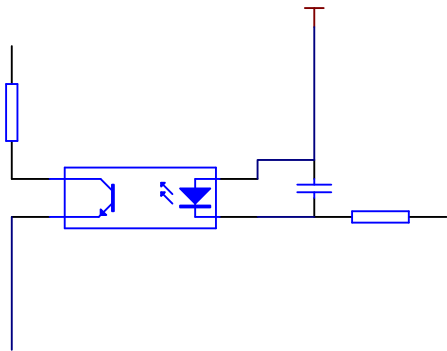
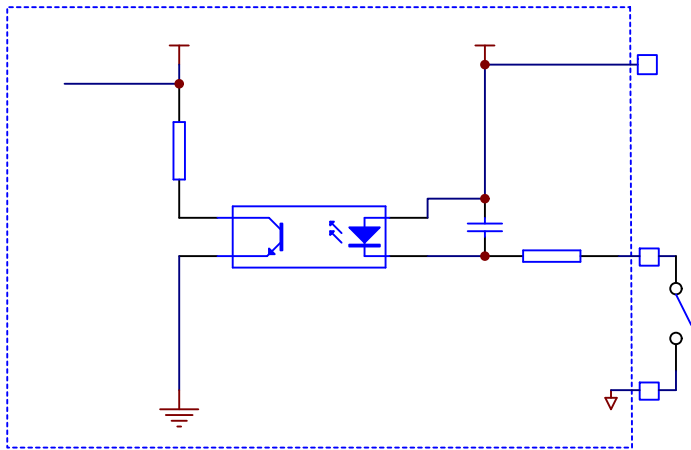
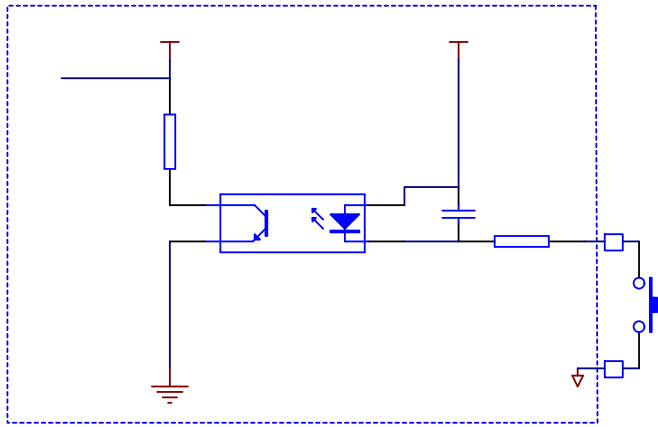
卍

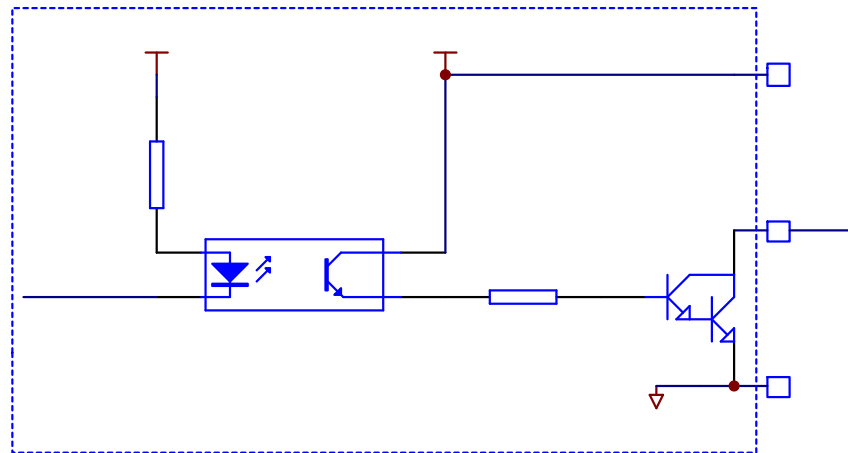
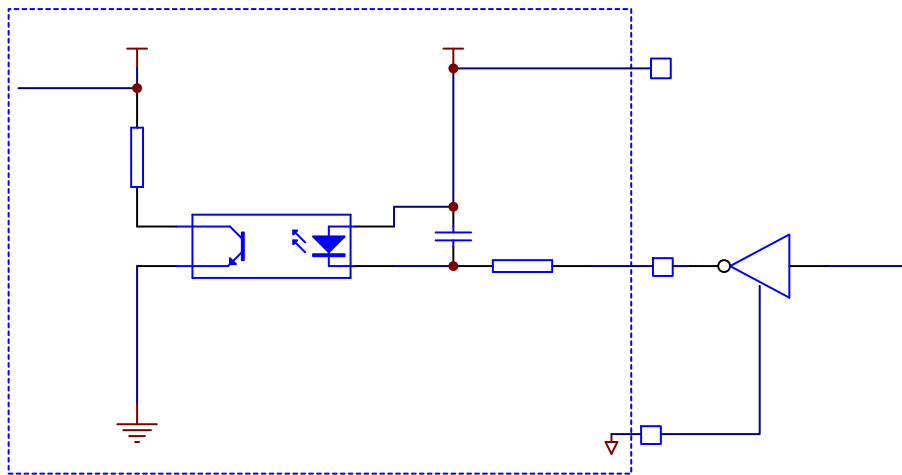
卍

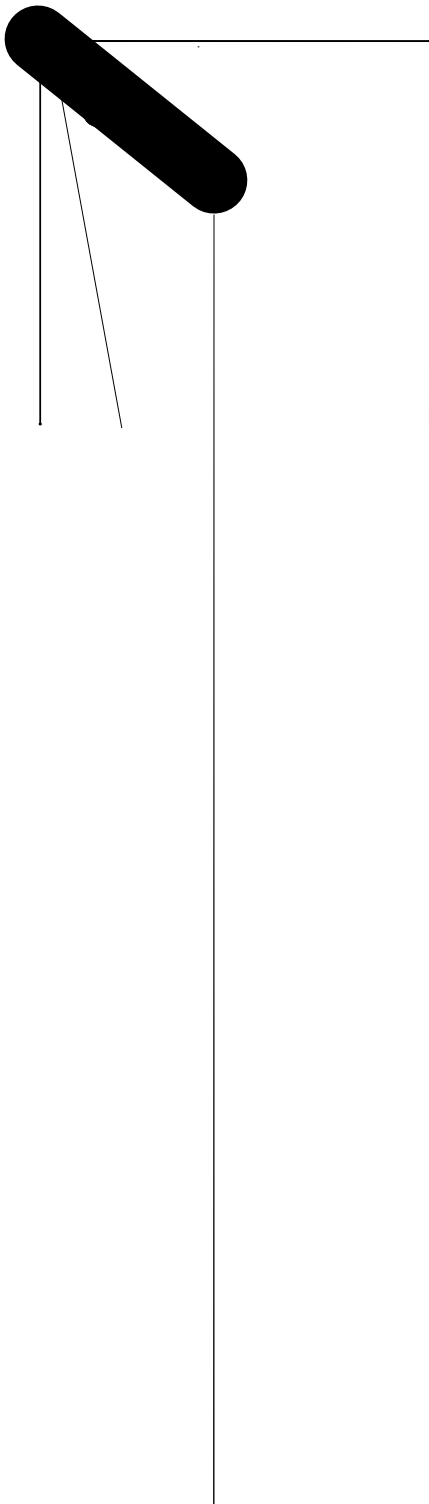
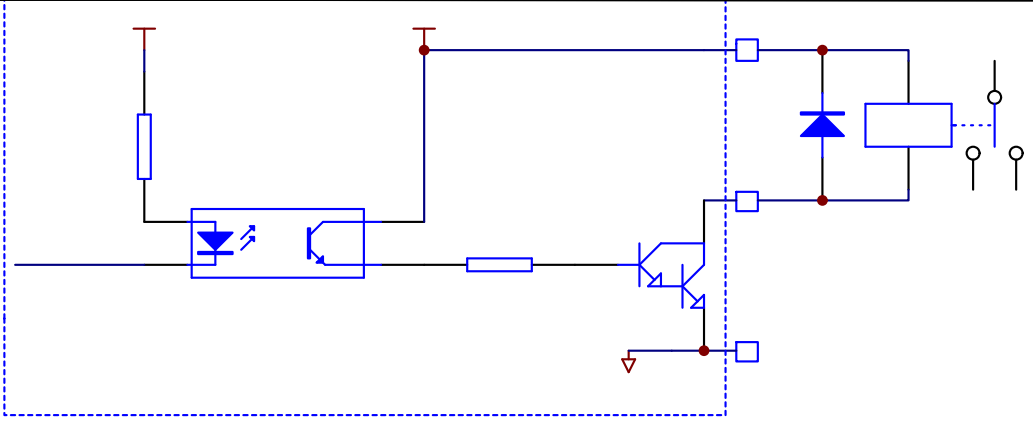


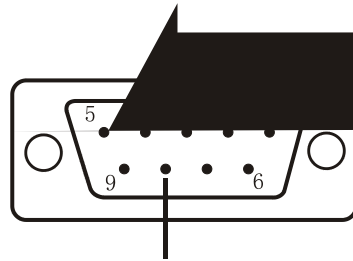
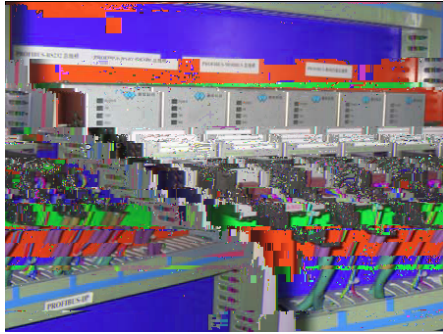
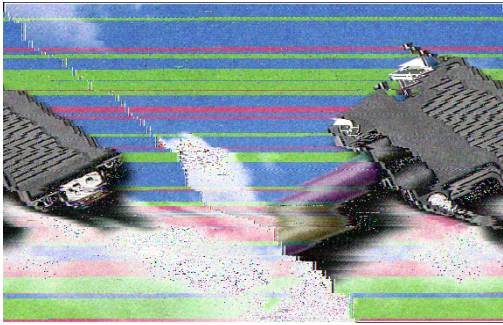
RXD()	
TXD()	
COM	
RS485-A	
RS485-B	

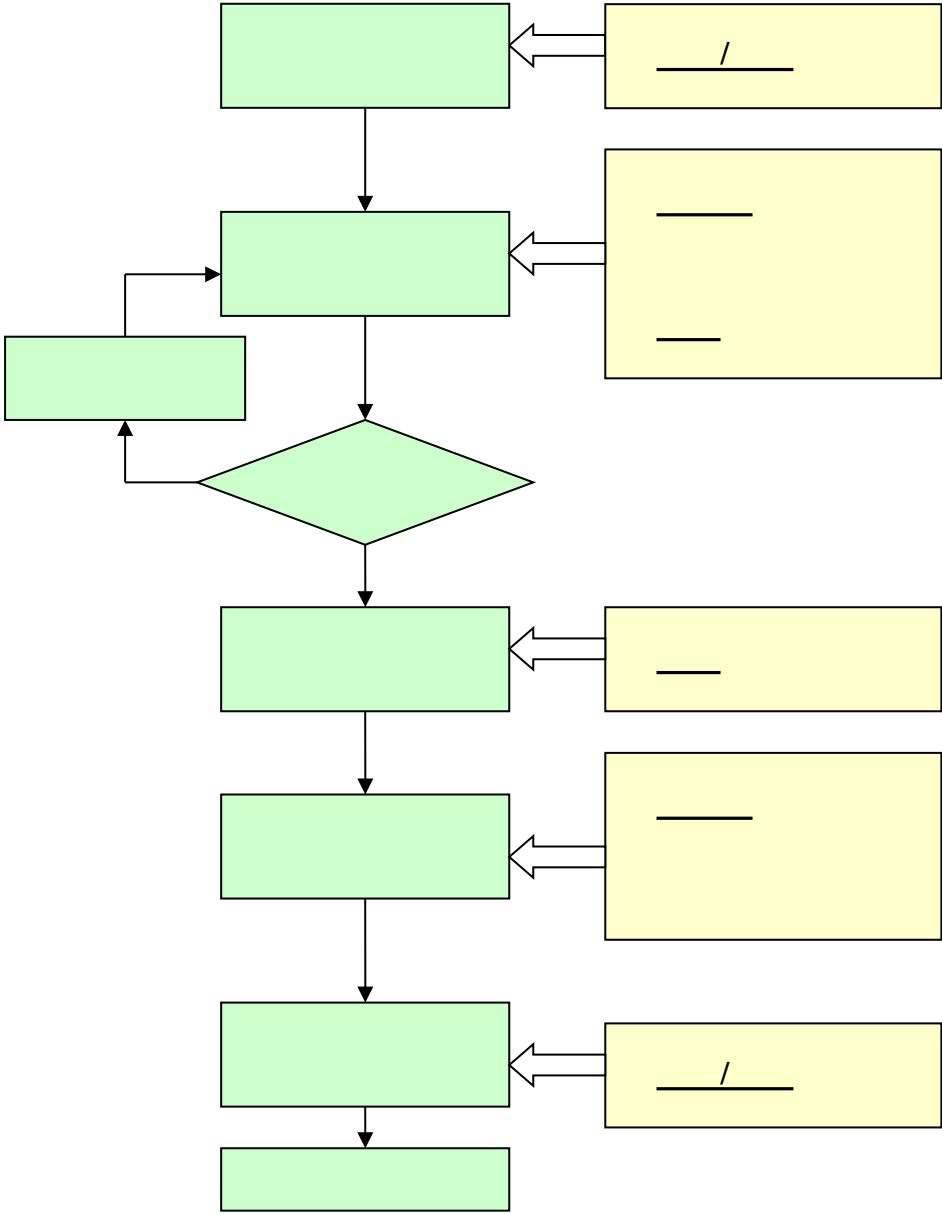
OUT1(1)	
OUT2(2)	
OUT3(3)	
OUT4(4)	
OUT5(5)	
OUT6(6)	
+12V(+)	
0V(-)	
IN1(/)	
IN2()	
IN3()	
IN4()	

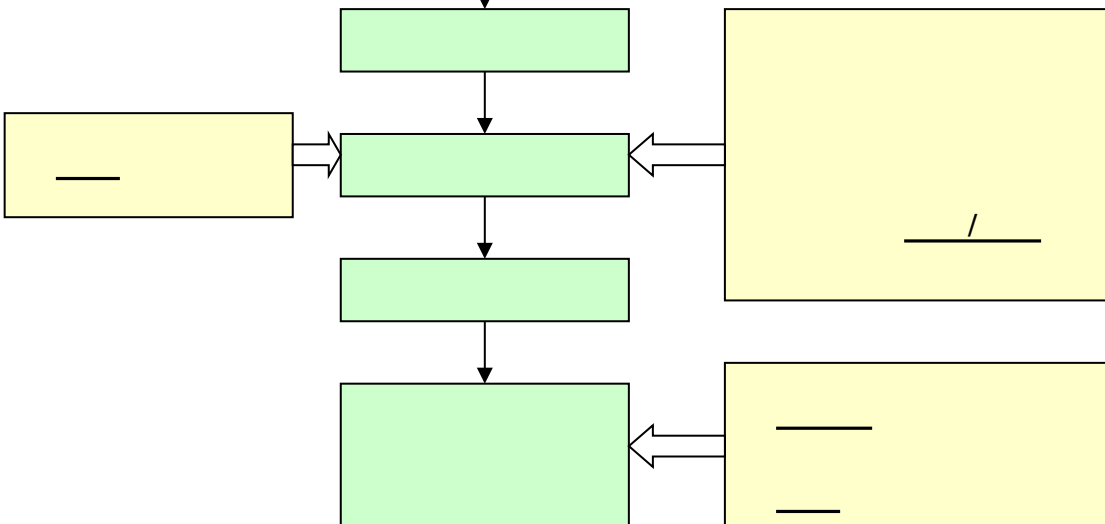
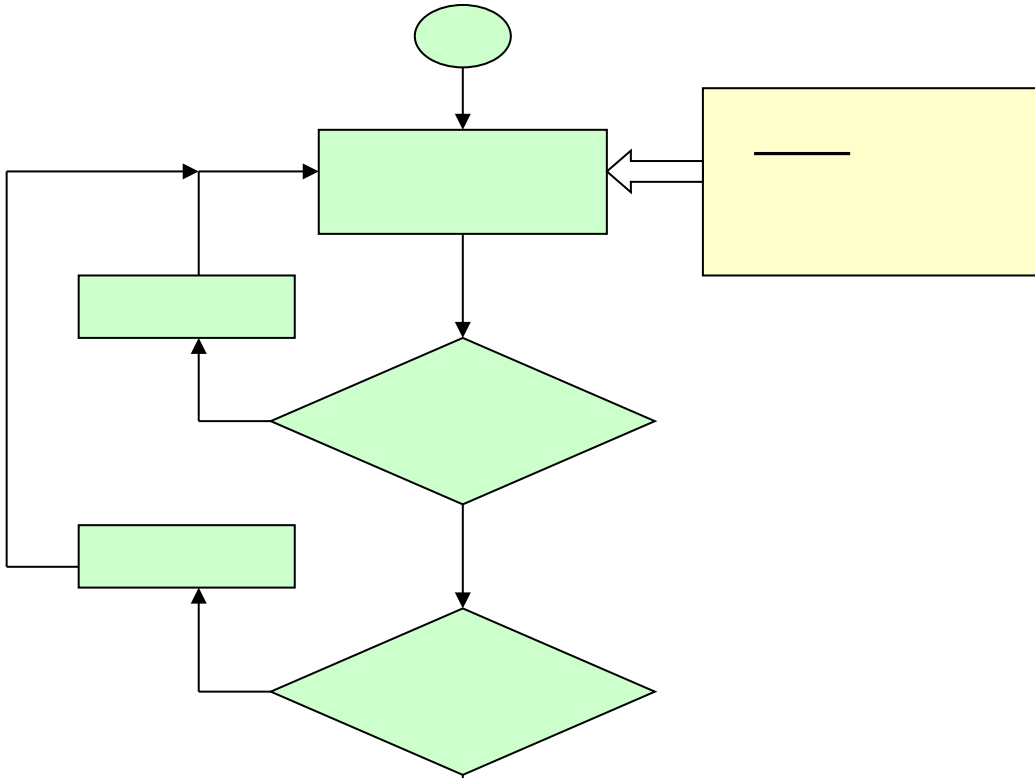
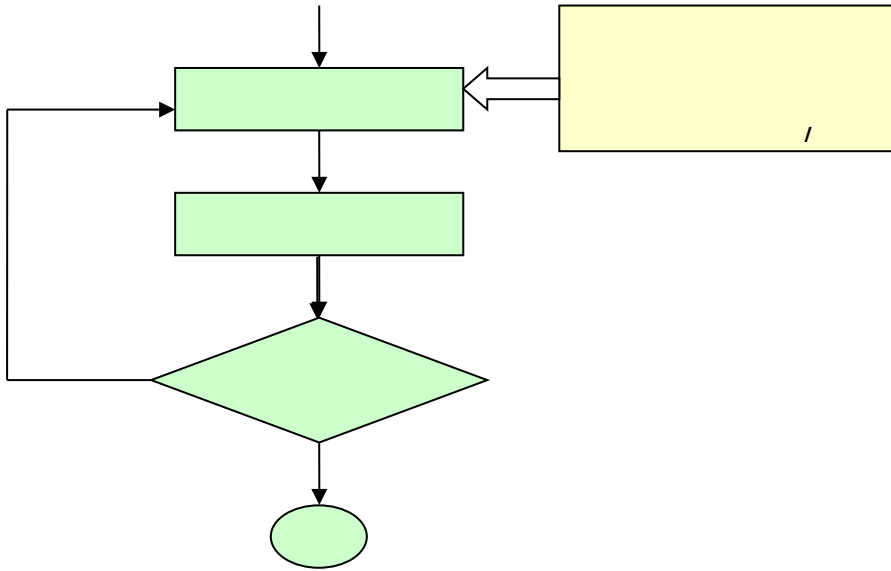


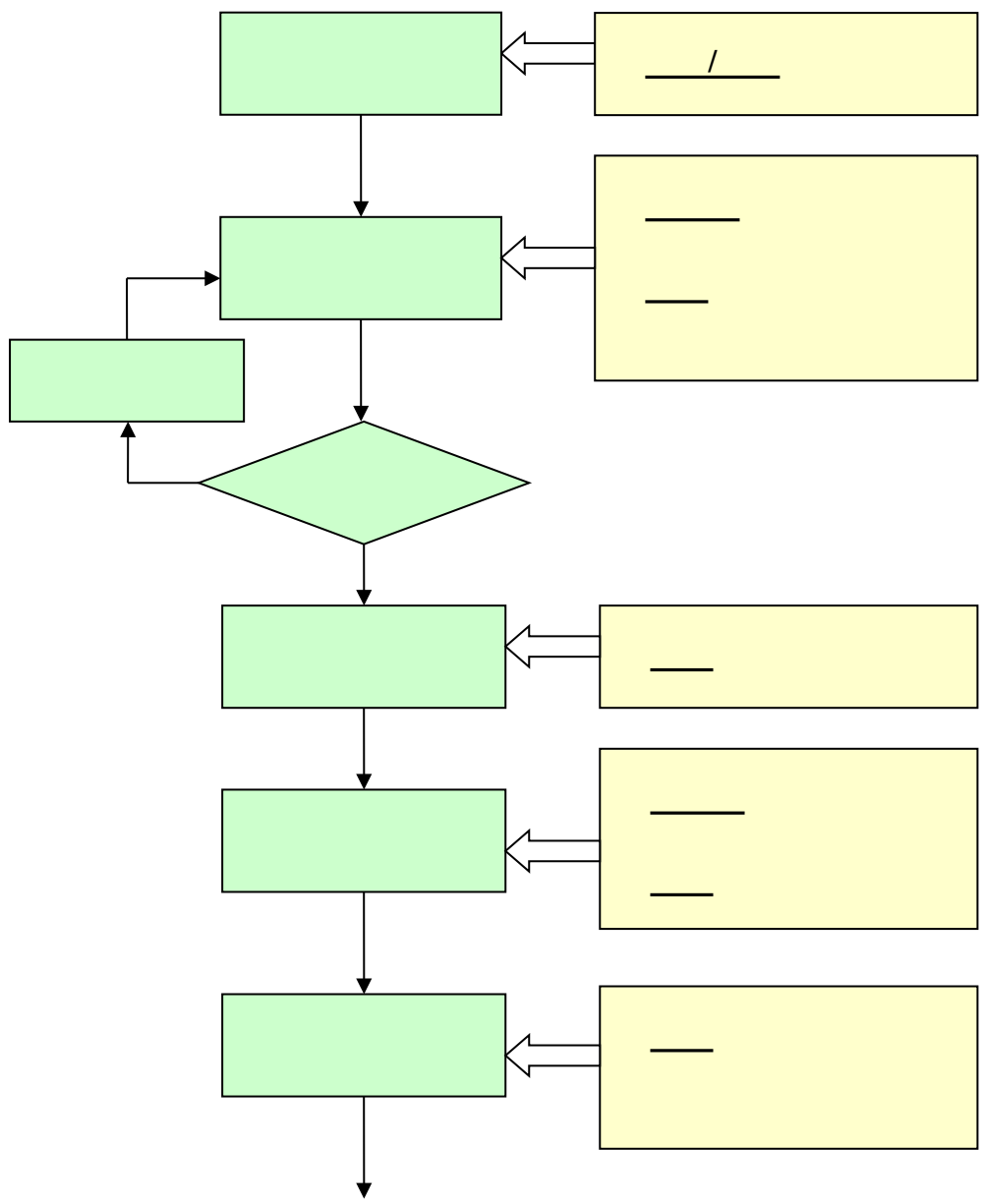


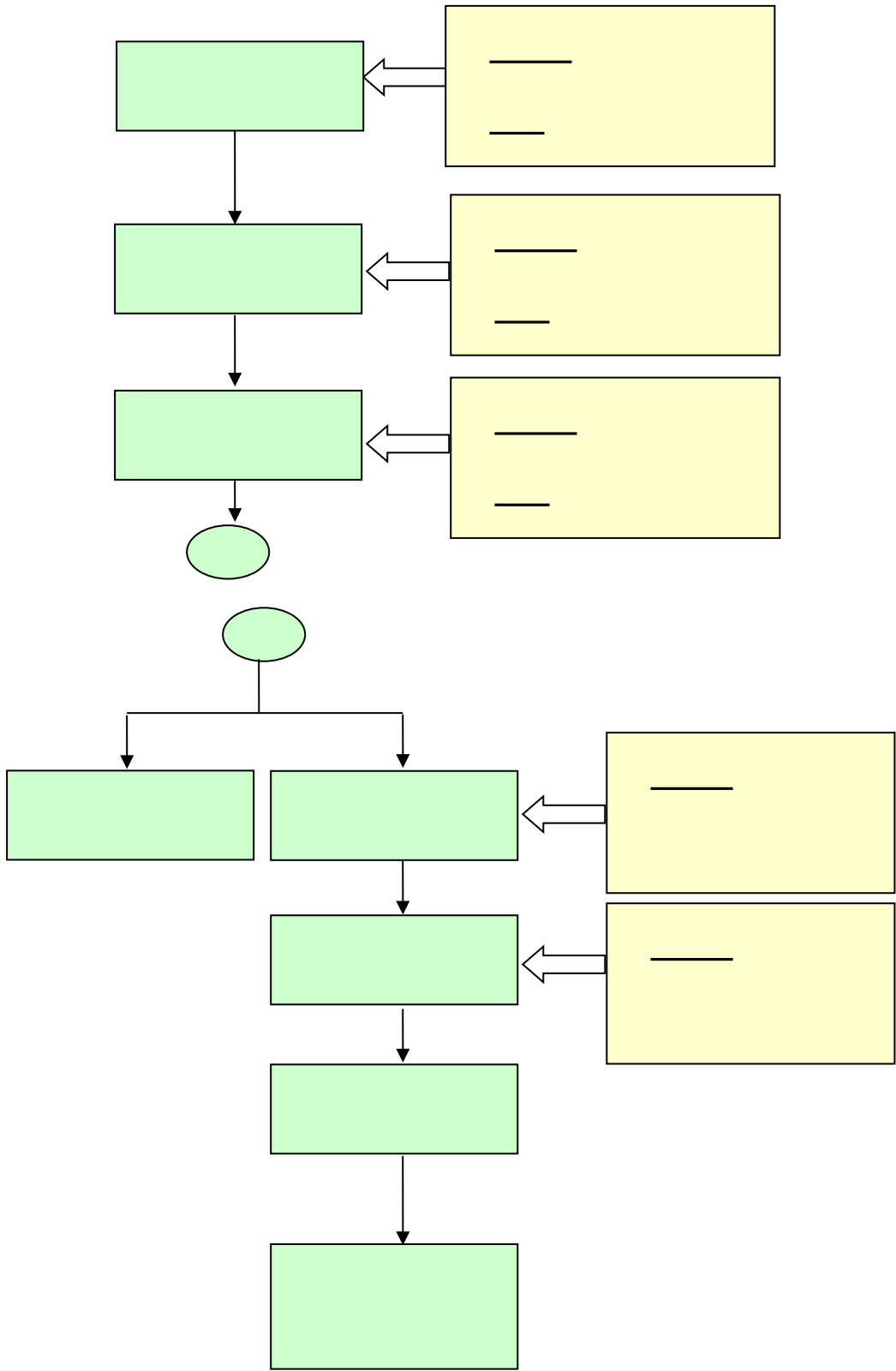


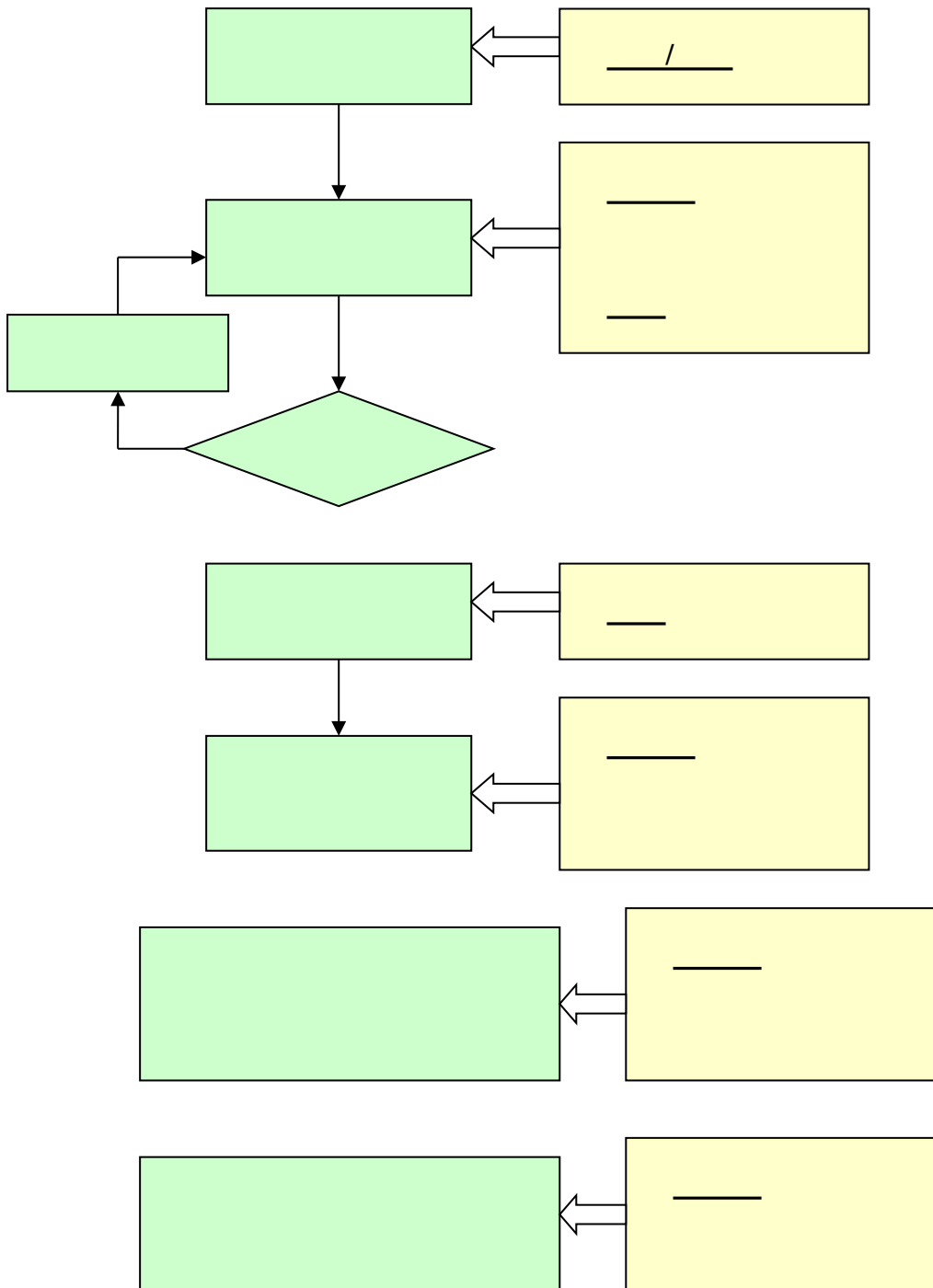












F2.4

F2.5

F2.6

F2.7

F2.8

x=0

F2.9

x=1 0.4uV

F2.10

;

F2.11

F3.1

F3.2

F3.3

F3.4

F3.5

F3.6

F3.7

F4.1

F4.2

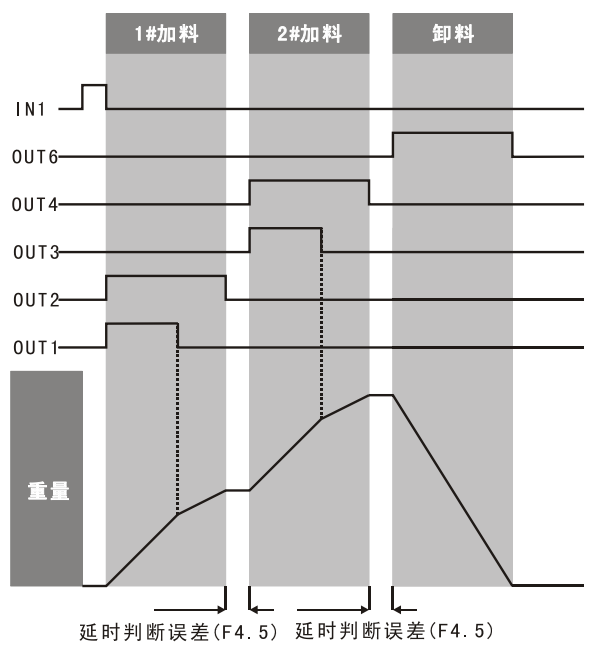
F4.3

F4.4

F4.5

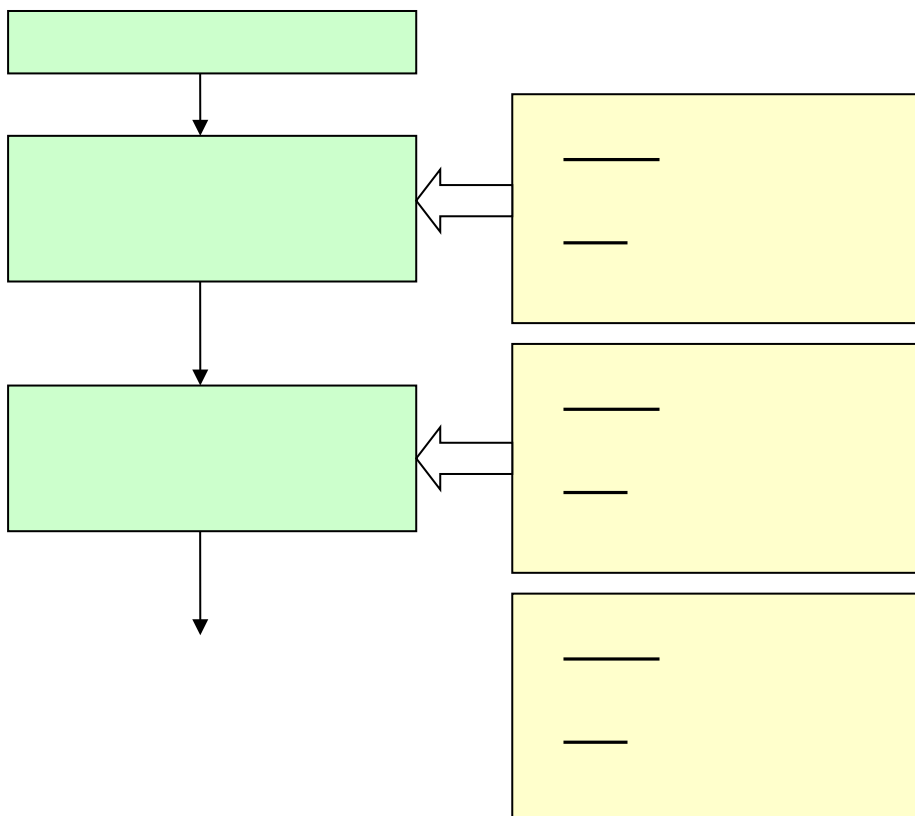
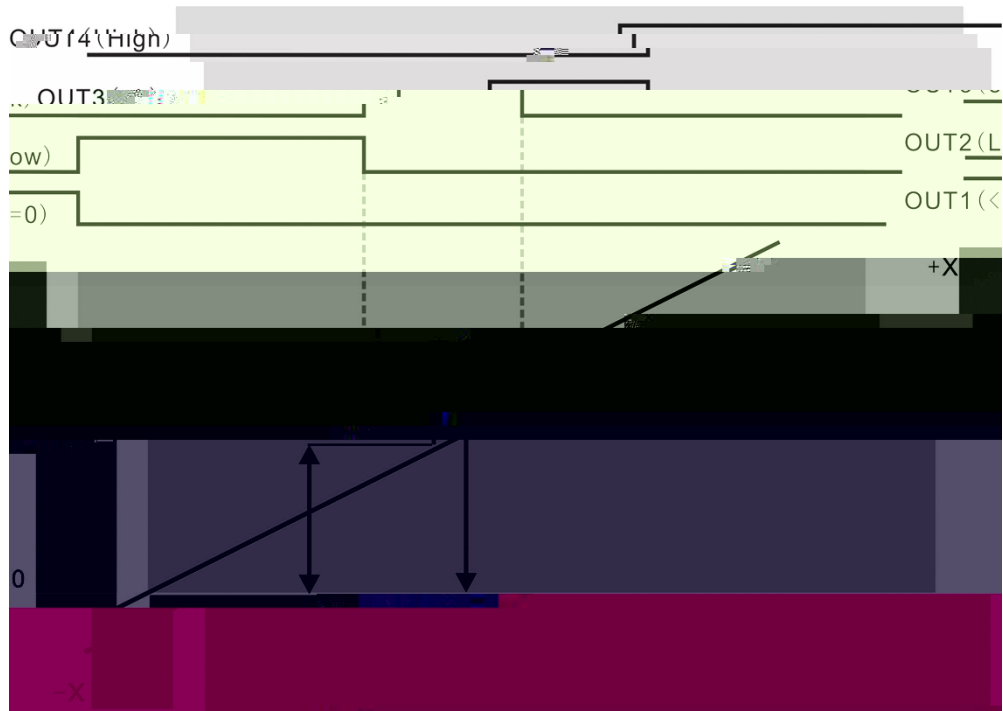
F4.6

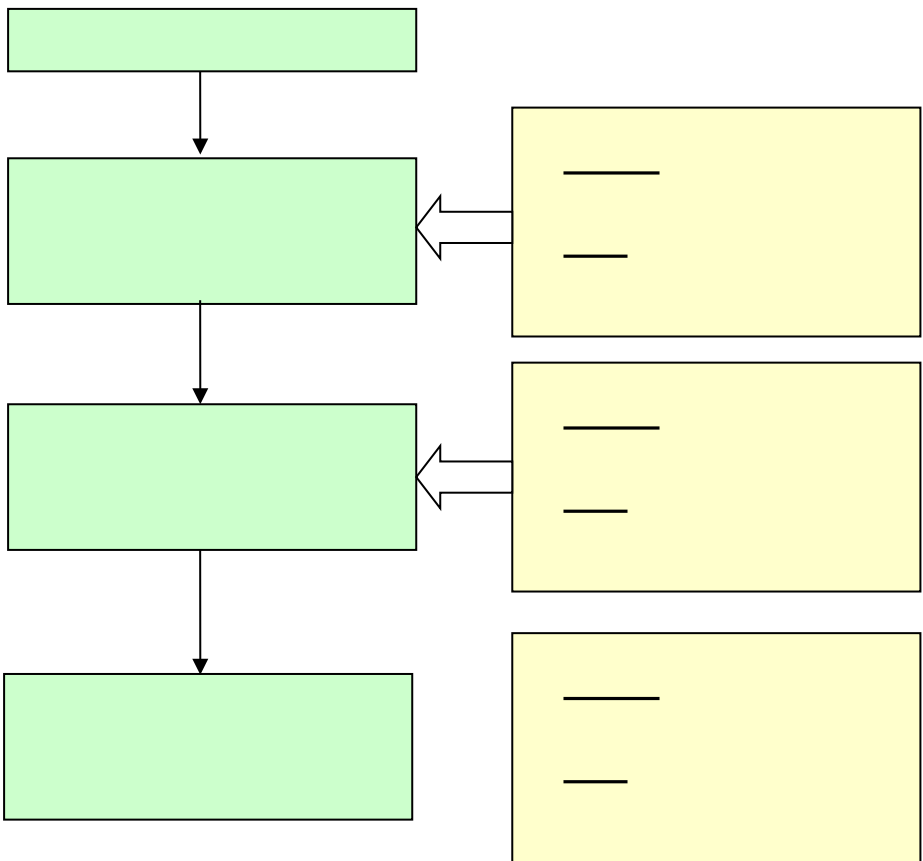
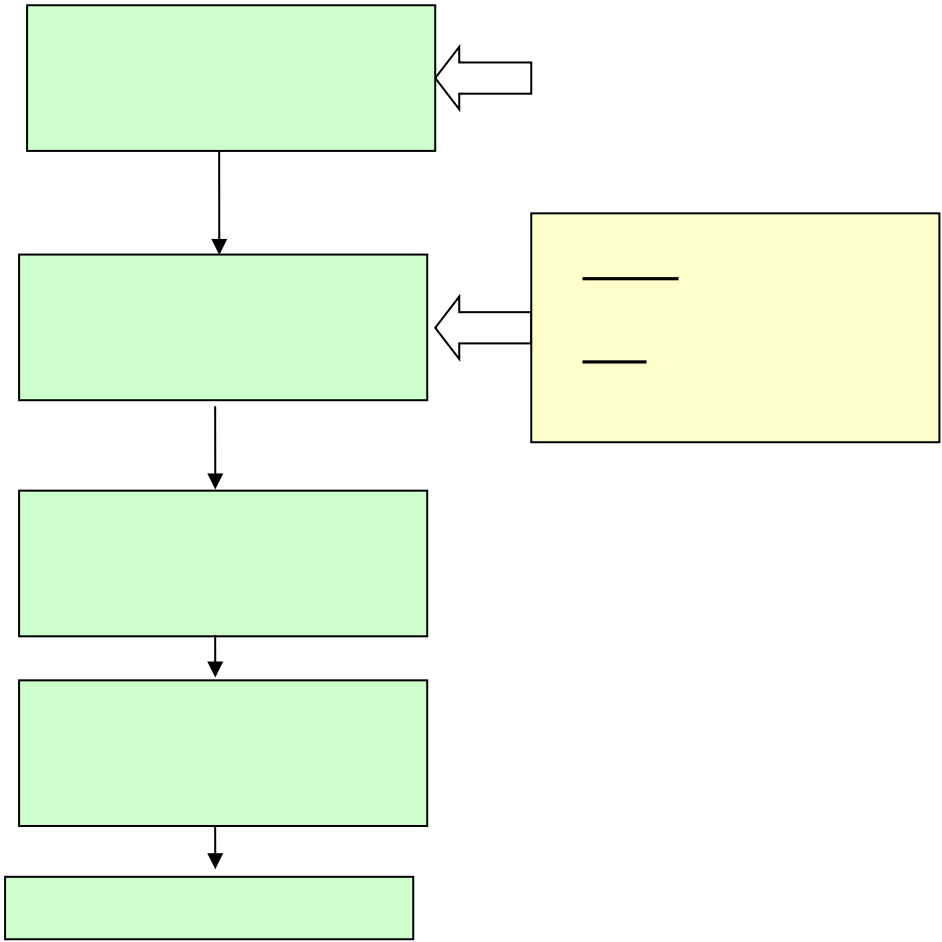
F4.7

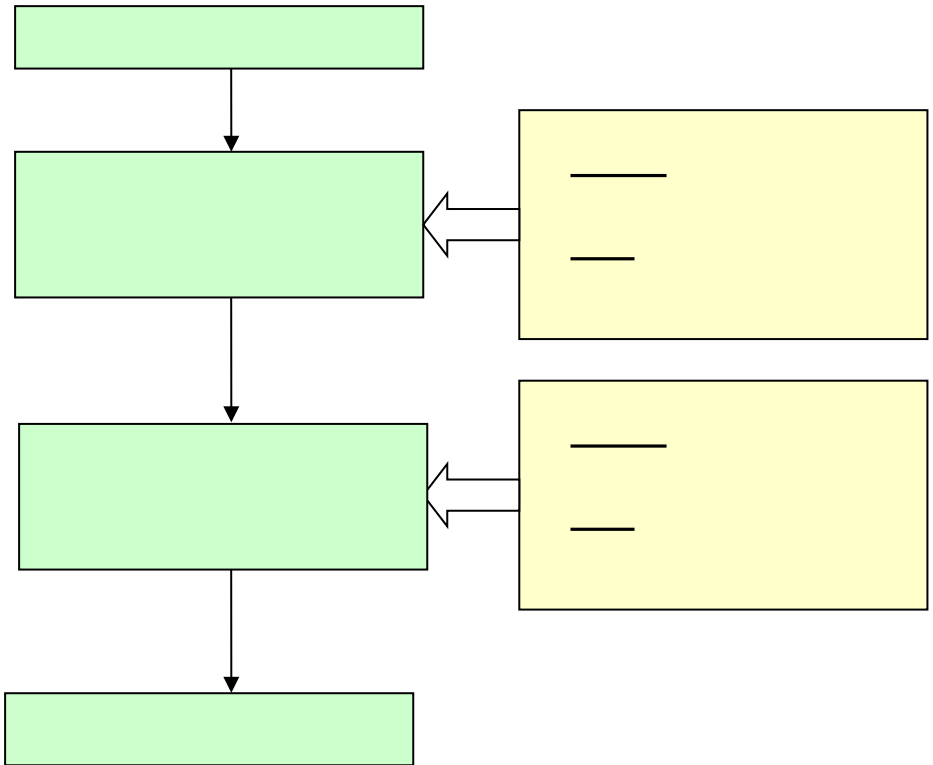


/

/







“ ”

“ ”

“ ”

“ / ”

“ ”

“ ”

“ ”

“ / ”

“ ”

“ ”

“ ”

“ / ”

“ ”

“ ”

“ ”

“ / ”

	E - - 1		
	E - - 2		
	E - - 3		
	E - - 4		
	E - - 5		
	E - - 6		
	E - - 7		
	n o-		
	o.L/-o.L		

--	--	--	--

1

A			
Bits 0 , 1 , 2			

Bits 3 , 4			
Bit 5			
Bit 6			

B	
Bits	
Bit 0	
Bit 1	
Bit 2	
Bit 3	
Bit 4	
Bit 5	
Bit 6	

Bit 0

C

--	--	--

F 2		
F2.1		1
F2.2		1
F2.3		4%
F2.4		0.0d
F2.5		3d
F2.6		5
F2.7		0
F2.8		0
F2.9		0 0.2uV
F2.10		0
F2.11		0
F3		
F3.1		9600
F3.2		8
F3.3		0
F3.4		0
F3.5		2
F3.6		2

宁波柯力传感科技股份有限公司

印刷要求(本 不印刷)

序
号序