



XK3118T1-C

电子称重仪表

使用说明书

2017年9月版



00000577



()

2

20



1.0

XK3118T1-C

A/D

RS232

GB/T 7724-2008

n=3000

10

1.5uV/e
DC 5V, 1 6 350
-16mV 18mV
6
1/2/5/10/20/50

30



A/D

XK3118T1-C1
XK3118T1-C2
XK3118T1-C3

AC220V AC110V
AC110V 220V
AC110V 220V DC10.5V/1A

6V/4Ah

-10°C~40°C

-20°C~60°C

10 85 RH

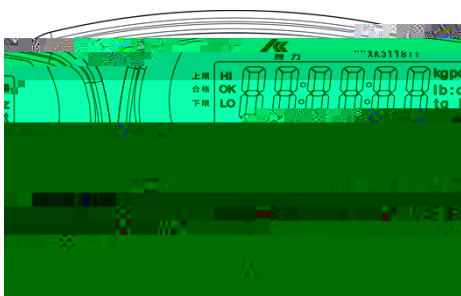
10 95 RH

2kg

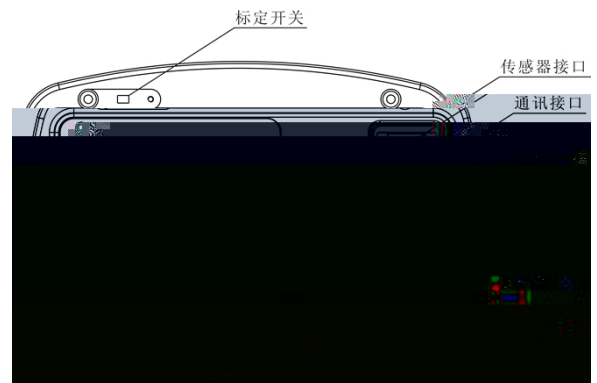
2.0

2.1

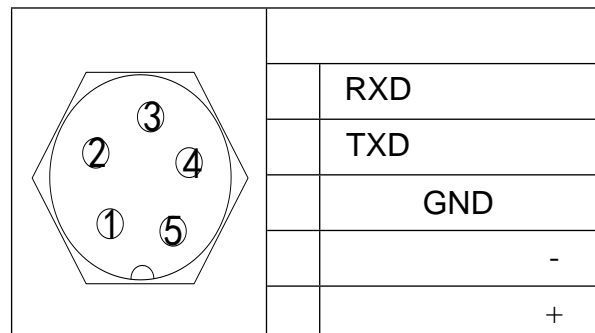
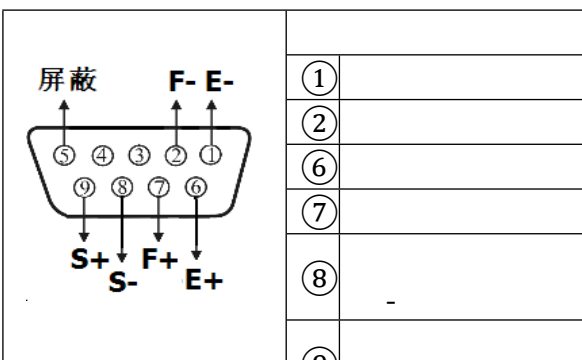
XK3118T1-C



XK3118T1-C



2.2





3.0

3.1



	1	2	3
	3.6	6	3.
	3.5	5	3.
	3.4		

3.2

“ ”

“_”

”

3.3

“ ”

“ ”

“ ”

3.4

“ ”

“0”

“ ”

“ ”

“ ”

“ ”

“0”

3.5

1

5

“ ”

“ ”

3

n

3

“ ”

“ ” “ ”

“ ”

2

“_”

3

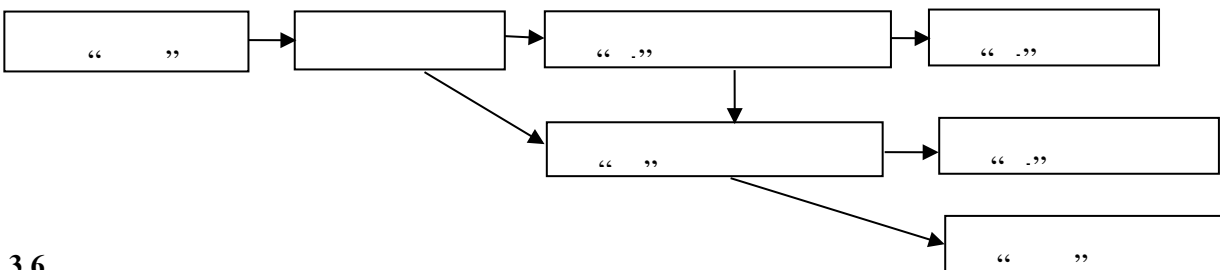
“ ”

“ ”

CLEAR-

“_”

“ ”



3.6

“ ”

--	--	--	--



1	“ ” “ ” “ ”	Fn **	“ ” ANL Cot -- (Function)
2	“ ” “ ” “ ”	PS **	oFF oN 3 onP 2 (Power Save)
3	“ ” “ ” “ ”	BL **	oFF Aut oN 3 (Backlight Mode)
4	“ ” “ ” “ ”	br****	(Baud rate) 600 9600bps
5	“ ” “ ” “ ”	Co *	(Comunicate Mode) 1 6
6		H*****	“ ” “ ” “ ” 2000 (High):
7		L*****	“ ” “ ” “ ” 1000 “HI” “LO” “OK” (Low):
8		r*****	
9		t **	

“ ”

“ ” ON
t “ ” r r
oFF
“ ” “ ”
“ ” “30”
“ ” “ ”

1	8	23.45kg ASCII =54.3200 -23.45kg ASCII =54.320-
2	8	1
3	14	=0023.45 kg 23.45kg ASCII OD OA



4	14	3
5		<p>02 “ ” 03</p> <p>5 ASCII ' A' ~' E' 23.45kg 13.45kg 10.00kg</p> <p>' A' : :GW: 0023.45(kg)</p> <p>' B' : :NW: 0013.45(kg)</p> <p>' C' : :TW: 0010.00(kg)</p> <p>' D' : : ' D'</p> <p>' E' : : ' E'</p> <p>02, 03</p>
6		

3.7

30 “ ” 6V/4Ah 1/3

24

2 24

3.8

BAt Lo 5.5V “ ”

5.3V

4.0

Err 01	
Err 02	
Err 03	
Err 04	
Err 05	AD
Err 06	
Err 09	
Err 10	



1		XK3118T1-C	1	
2		XK3118T1-C	1	
3		XK3118T1-C	1	
4		XK3118T1	1	
5		D 9 ()	1	
6	D	DB-9	1	
7		HKCT-10(M12×0.75)(5)	1	
8		XK3118T1 ()	1	
9	1	M4×12	4	
10	2	M6×25	1	
11	1	M4	4	
12	2	M6	1	
13		110~220VAC 10.5VDC	1	XK3118T1-C3



C 199

400-887-4165
0574-87562271
315033
<http://www.kelichina.com>

1		A5	A4
2		70g	200g
3			
4			
5		70g	80g
6			
7			

