

R32. 20电子称重仪表

使用说明书

2014年12月版

请 细 阅 读 产 说 书

请 产 说 书 备 查 阅

传 录

项

术规

3.1	规	2
3.2	术规	2

连

4.1	仪	3
4.2	统联线	3
4.2.1	电	4
4.2.2	传	4
4.2.3		4
4.2.4	开关 输 输	5
4.2.5	键盘	5

5.1	显	6
5.2	鸣	6
5.3		7
5.3.1	仪 电	7
5.3.2		7
5.3.3		7
5.3.4		7
5.3.5	显 时间	7
5.3.6	调 时间	7

标

6.1	图	8
6.2	0 码	9
6.3	1 标 换	11
6.4	2 输	13
6.5	别 说	14

设

7.1	应 环 F2	14
7.2	讯 F3	15
7.4	开关 F4	16
7.5	设 较值	16

8

8.1	错误	16
8.2	现	17

8 洁 维护

录A	连续输	F3. 5=1
录B	连续输	2 F3. 5=2
录C	MODBUS 讯	F3. 5=0
录D	讯协议	F3. 5=3

R32

220VAC

R32

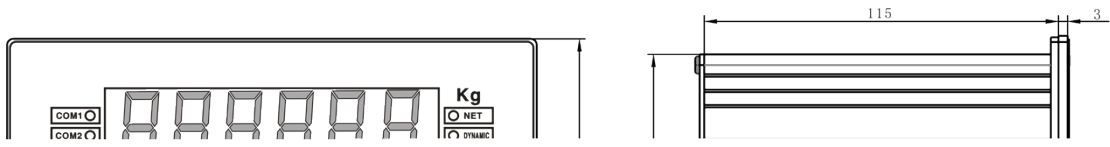
	1.2kg			
	SS304 IP65		IP42	
	6	350	58	
	-20mV ~ +20mV			
A/D	24	-	100Hz	
	20000d		0.3μv/d	
	6	LED	20mm	10Hz
	6			
1	RS232 RS485			
	MODBUS-RTU			
	5		2A	1A
	220VAC			
	10° ~ +40° C		10% ~ 90%	
	20° ~ +50° C		10% ~ 90%	

4.1

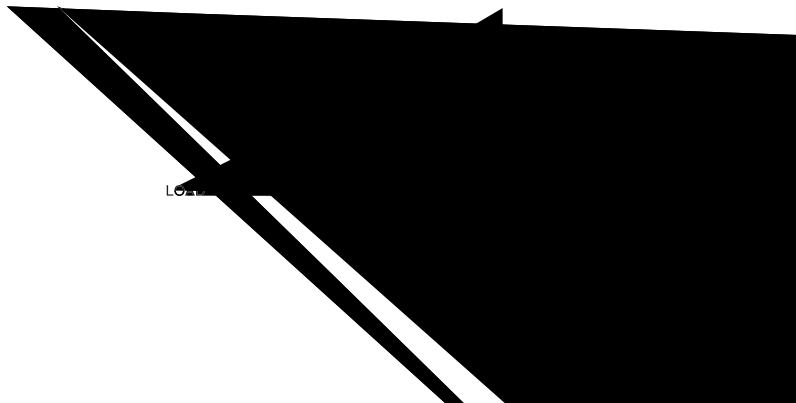
(W x H) 172mm×87mm

(W x H): 150mm×75mm

151mm×76mm



4.2



4.2.2

6 350

(58)

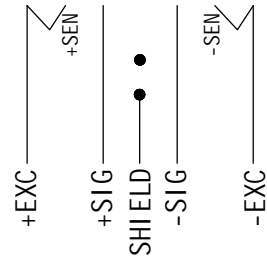
+EXC

+SEN

EXC

SEN

•



4.2.4

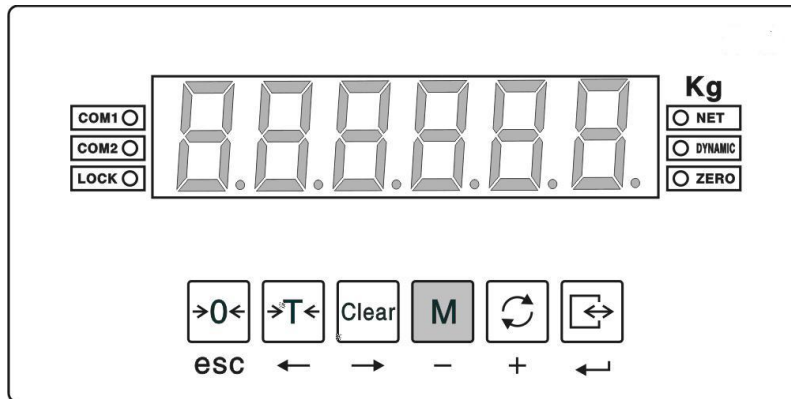
IN1	1 COM1 40mS
COM1	
OUT1	1
C1	1
OUT2	2
OUT3	3
C23	2 3
OUT4	4
OUT5	5
C23	4 5

4.2.5



2	→0←
3	→T←
4	Clear
5	
6	M
7	
8	

5.1



1
2
3

2

4
5

F2.7

1 F2.7 0

2 F2.7

[E0] []

COM1	RS232 RS485
COM 2	Profibus DP
LOCK	
NET	
DYNAMIC	
ZERO	

5.2

	F2.1=0	F2.1=1
--	--------	--------

5.3

5.3.1

5.3.2

(), “no”
“E--2”
“E--2”

5.3.3

“E--2”
“E--2”

5.3.4

5.3.5

M

M

>0<

YY.MM.DD;
hh.mm.ss;
10

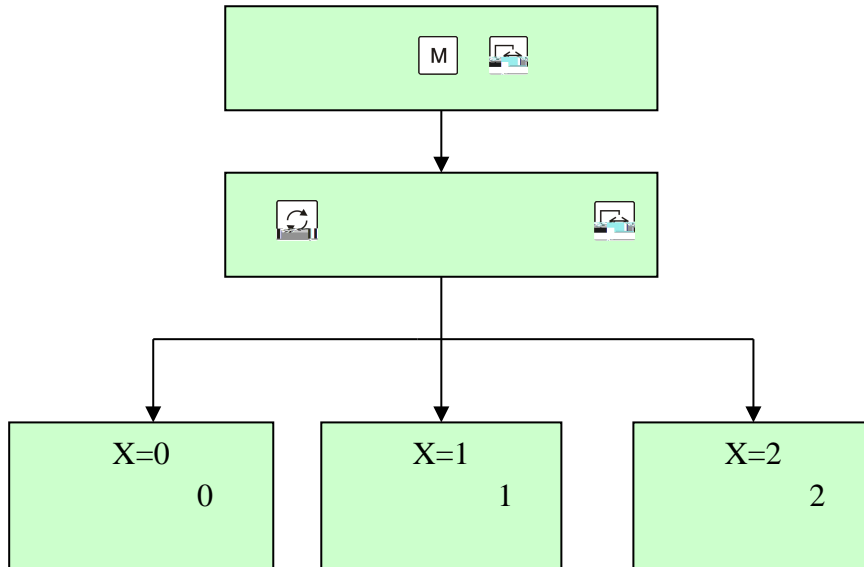
5.3.6

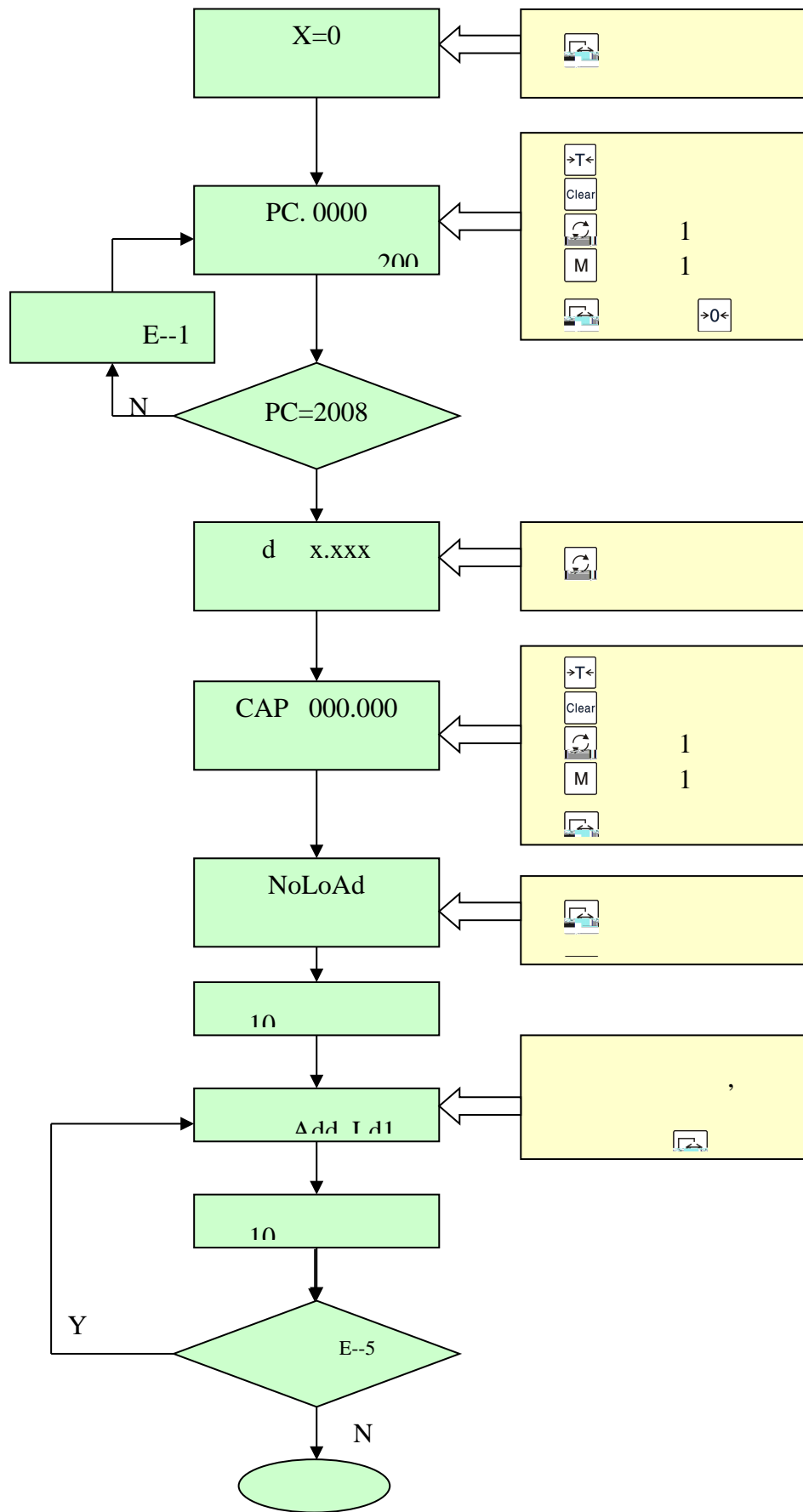
“+” “-”

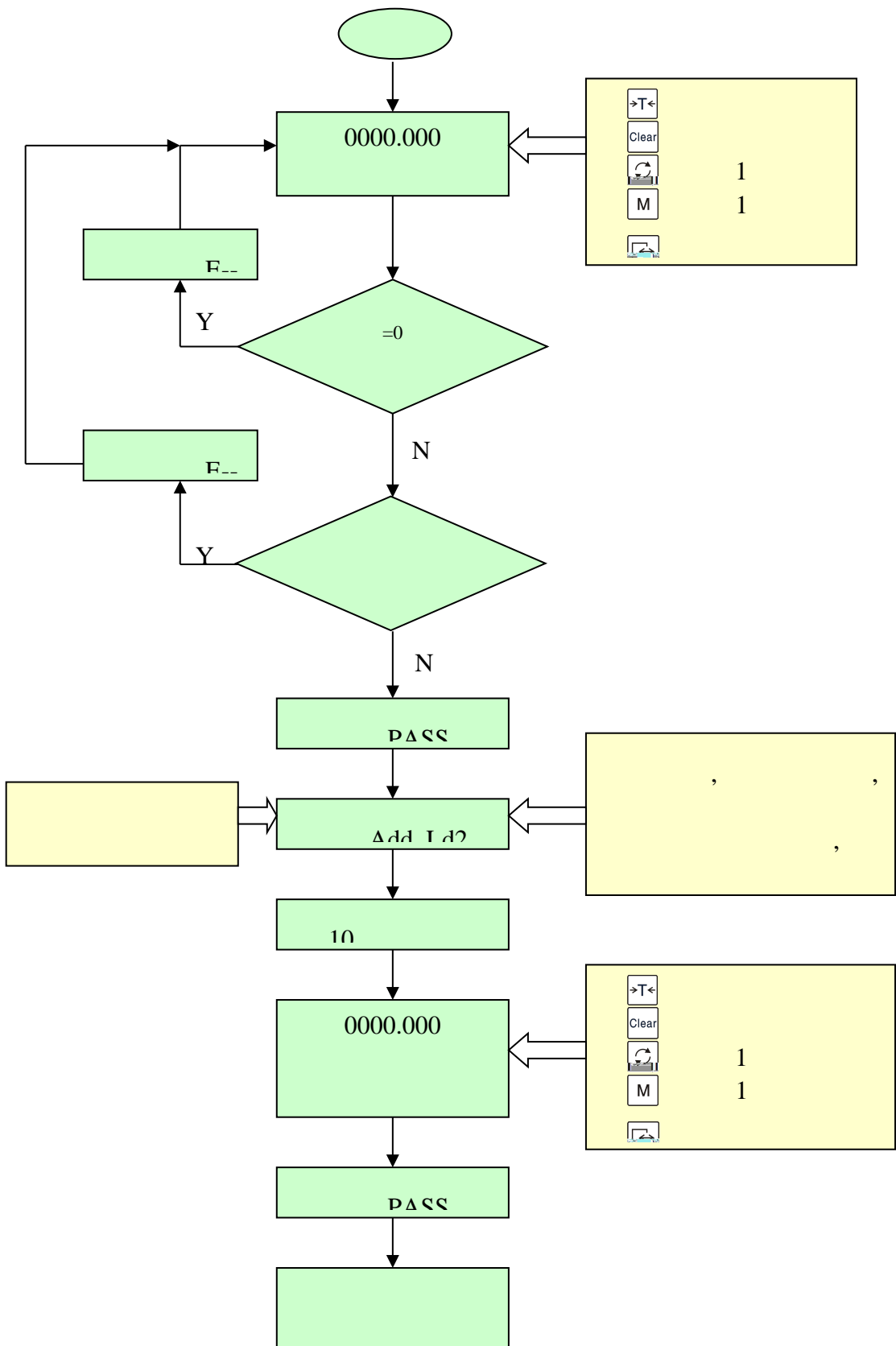


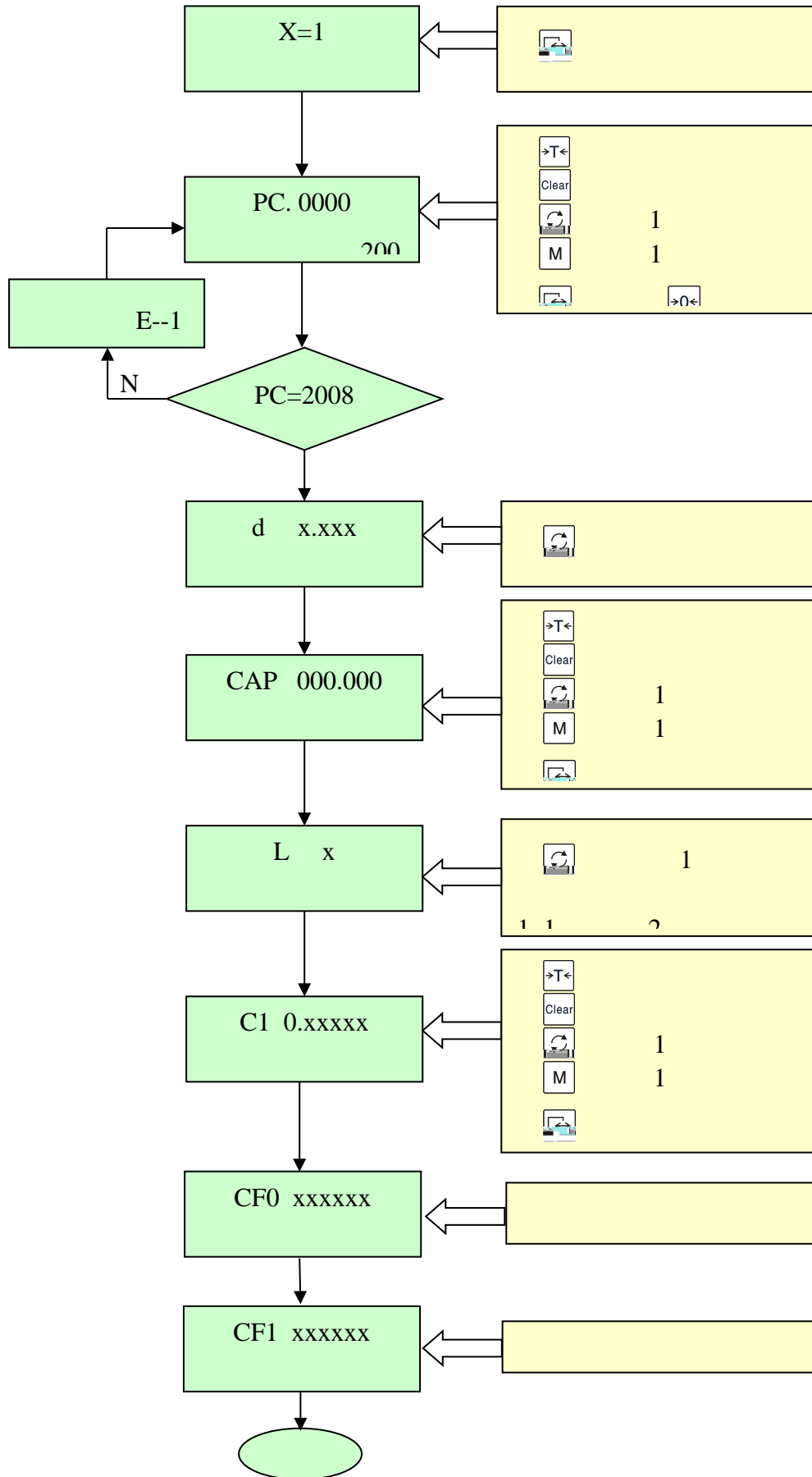
“ ” “ ”

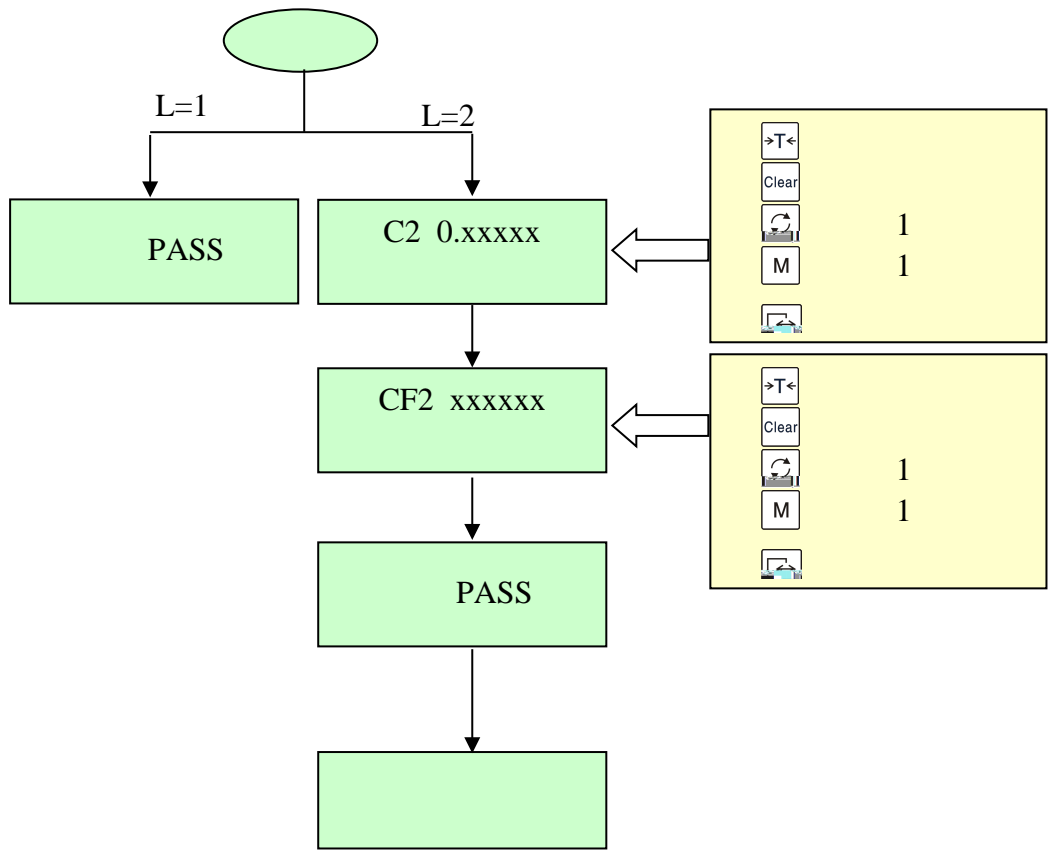
6.1

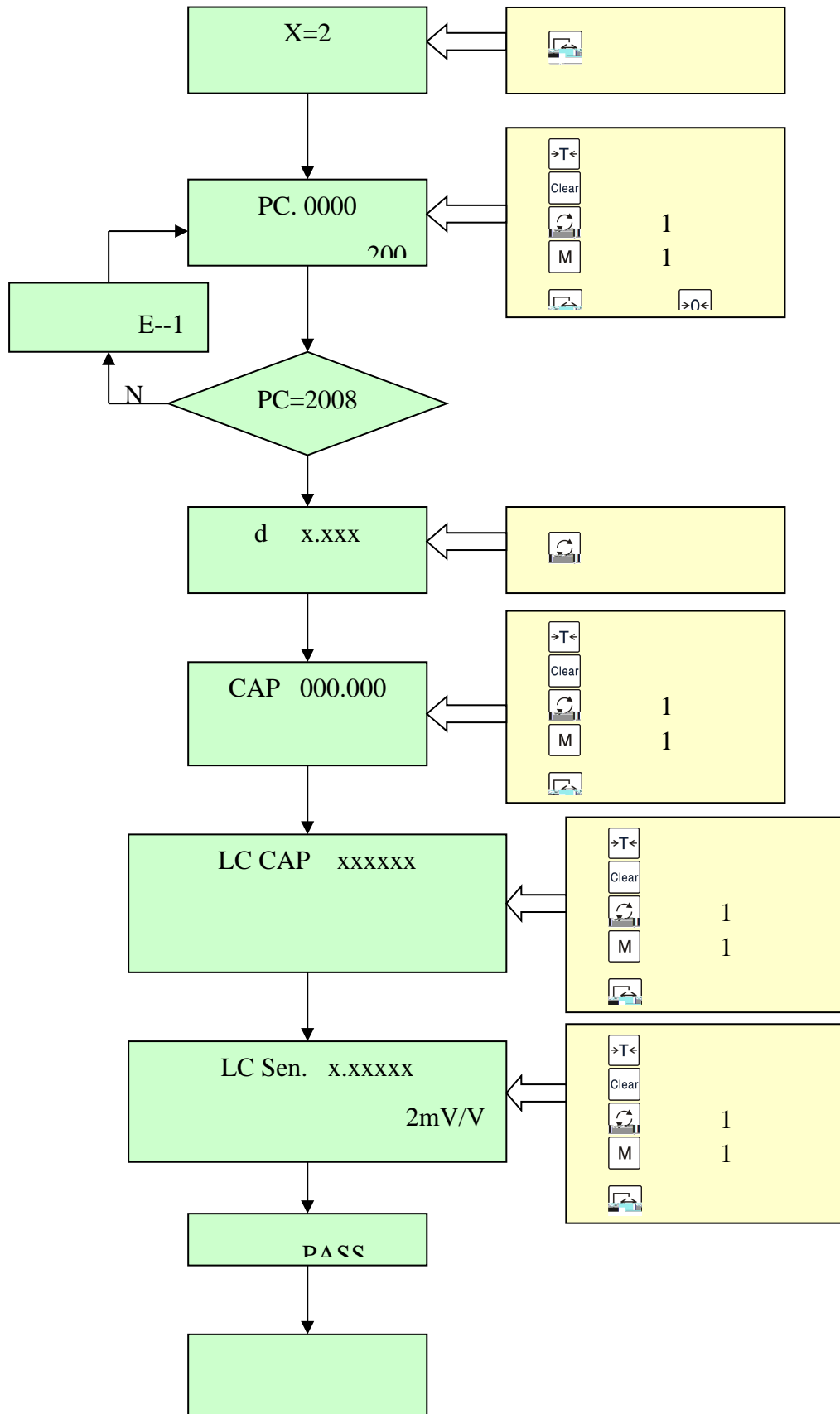












6.5

Ld1

Ad

CF0

F2() F3()



1

1



7.1

F2

x 0

x 1

x 0

x 1

100%FS

x=0

x=4

±4%FS

x=10

±10%FS

x=20

±20%FS

x=0

x=0.5

0.5d/

x=1

1d/

x=3

3d/

x 0

x 1

0.5d

x 2

1d

x 3

3d

x=0~9

x=0

x=4 ±4%FS

x=10 ±10%FS

x=20 ±20%FS

x=0

x=1 5

x=2 10

x=3 30

x=0 0.2uV

x=2 0.6uV

x=3 1.0uV

0-15

0

0-9999

7.2

F3

1200 2400 4800 9600 19200

x = 7 7 bits

x = 8 8 bits

x = 0 None

x = 1 Odd

x = 2 Even

x = 0

x = 1

1 “ ”“ ”

2

x = 0	modbus		C	modbus
x = 1		1	A	1
x = 2		2	B	2
x = 3			D	

0~99 MODBUS 0.

7.4 F4

x=2
 OUT1~OUT4 SP1 SP4 SP1-4 OUT1-
 4
 OUT5 SP0 OUT5

x=3
 SP1 OUT1
 SP2 OUT2
 SP3 OUT3
 SP4 OUT5
 OUT5 SP0 OUT5

X=0 X=1:

7.5

1 

“SP0”

SP1

2 SP1~SP4

8

8.1

1			
2			
3			

4			
5			0
6	-		
7		/	1 2 3
8	AdC-Err		

8.2

(1)

a

b

(2)

a

b

c

(3)

a

b

(4)

(5)

a

b

(6)

a

b

8

A F3. 5=1
 18 (Bytes)
 RS232 RS485

1																	
STX	A	B	C	X	X	X	X	X	X	X	X	X	X	X	CR	CKS	
1	2			3						4						5	6

1. <STX> ASCII (02H)
2. A, B, C
3. , 6
4. 6
5. <CR> ASCII (0DH)
6. <CKS>

0	1	2	
0	1	0	0
1	1	0	0.0
0	0	1	0.00
1	0	1	0.000
3		4	
1	0		X1
0	1		X2
1	1		X5
1			
0			

	= 0, = 1
	: = 0, = 1
	() = 1
	= 1
	1
	1

0	

C Modbus F3. 5=0
 [3.5 = 0]
 Modbus RS232 RS485
 8 1
 MODBUS RTU MODBUS
 40001 03 06
 "4XXXX" 0000
 40001 0000
 hex(0) 40027 001A hex(26)
 03 4
 modbus

40001-40002						
40003-40004						
40005	0	1	1	0	1	03
	1	1	2	0	2	
	2	1	3	0	3	
	3	1	4	0	4	
	4	1	5	0	5	
	5	1			0	
	6	1		0		
	7	1		0		
40007-40008		SP0				
40009-40010		SP1				
40011-40012		SP2				
40013-40014		SP3				
40015-40016		SP4				
40027	0	(1)				
	1	(1)				
	2	(1)				
	3	(1)				
	4	(1)				
	5					
	6					

IEEE 754

128.6 4 43 00 99 9A 40003 99
 9A 40004 43 00.

D F3. 5=3
 600 9 1 1
 3

bit	0	1	2	3	4	5	6	7	8
					/		G16	G17	0

bit	0	1	2	3	4	5	6	7	8
	G8	G9	G10	G11	G12	G13	G14	G15	0

bit	0	1	2	3	4	5	6	7	8
	G0	G1	G2	G3	G4	G5	G6	G7	1

9 "0"
 D0 D1 D2--- 0-3
 D3 — 1- 0-
 D4 — / 1- 0-
 D5 —
 G17 G16
 9 "0"
 G15~G8
 9 "1"
 G7~G0
 G0~G17 18

E

F2.1		1
F2.2		1
F2.3		4%
F2.4		0.0d
F2.5		3d
F2.6		4
F2.7		0
F2.8		0
F2.9		0
F2.10		0
F2.11		0
F3.1		9600
F3.2		8
F3.3		0
F3.4		0
F3.5		2
F3.6		3
F3.7	Profibus DP	1
F4		
F4.1		2

C 199

800-857-4165 400-887-4165
0574-87562289
315033
<http://www.kelichina.com>

4903101346
201412V0.10

1		A5	A4
2		70g	200g
3			
4			
5		70g	80g
6			
7			