



KM04C6

2013 12

<b>1.0</b>	.....	<b>1</b>
1.1	.....	1
1.2	.....	1
1.2.1	.....	1
1.2.2	.....	1
1.2.3	.....	1
<b>2.0</b>	.....	<b>2</b>
2.1	.....	2
2.2	.....	2
2.2.1	.....	2
2.2.2	.....	2
2.3	.....	3
<b>3.0</b>	.....	<b>3</b>

1.0

KM04C6

KM04C6

0-5V/0-10V/4-

20mA

1.1

4 20mA/0-5V/0-10V

0.1

4 20mA 0.1

1.2

1.2.1

1.5mv/V

: PGA=128 ± 9.375 mV

A 11V-

14V , 250 , 14V 36V 500

B 11V-14V , 250 ,

14V 36 500

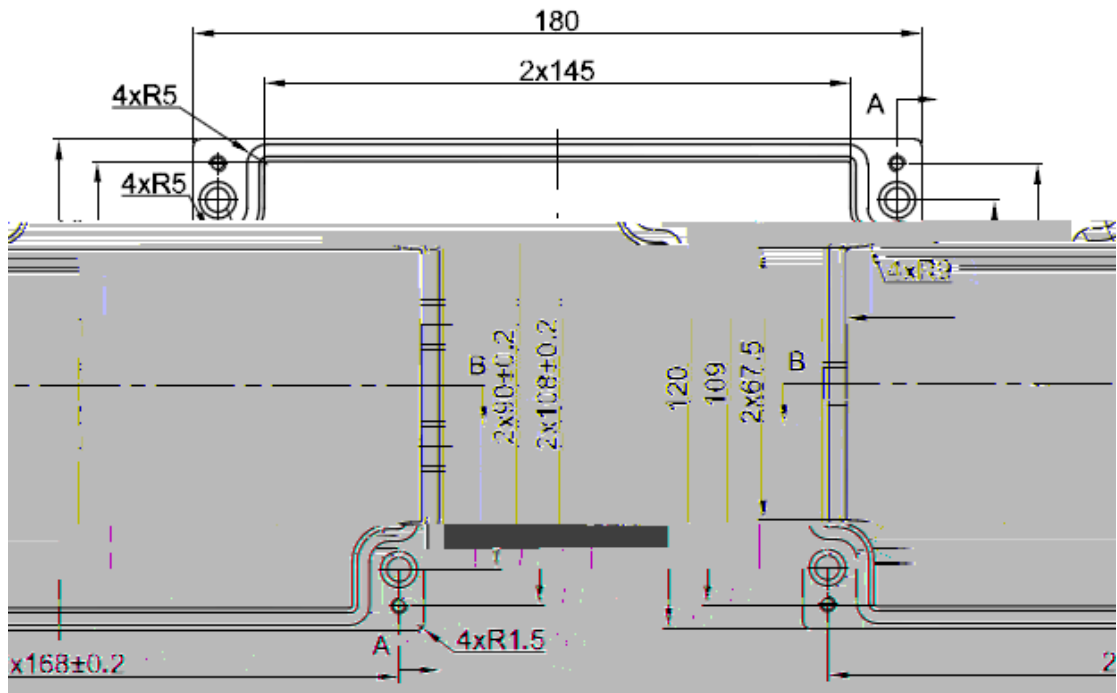
C RLOADmin = 1 k 20nF

0.1%FS

1.2.2

2.0

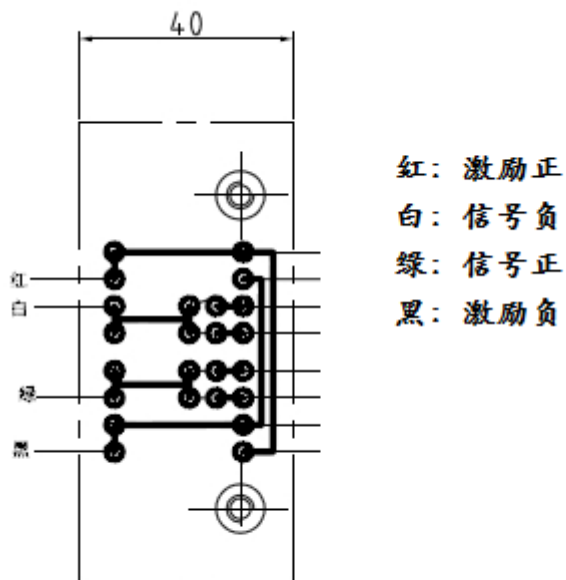
2.1



1.

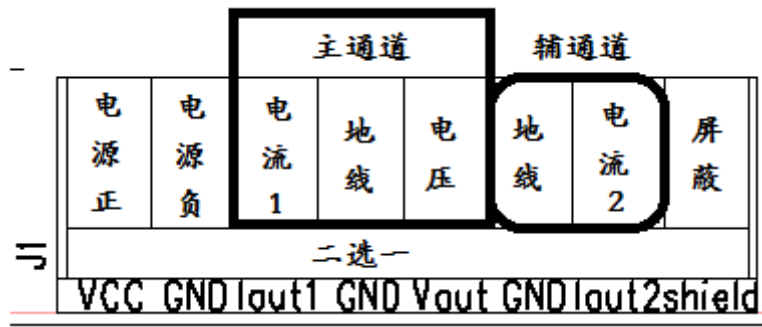
2.2

2.2.1



2.

2.2.2



3.

2.3

1.	S1	20mA	10V	0-10V	4-	0-5V	0-
2.	S1				4mA ± 0.02		4mA
3.	S1				20mA ± 0.02		20mA
4.	S1				4mA ± 0.02		4mA
5.	S1				20mA ± 0.02		4mA
6.	S1						

3.0

3.1



C

199

400-887-4165

800-857-4165

0574-87562271

315033

<http://www.kelichina.com>