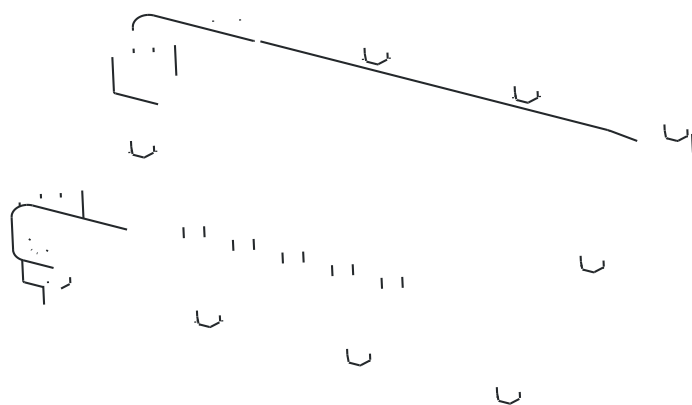


Ex-XK3101B防爆型电子称重仪表

使用说明书



- 请 细 阅 读 产 说 书

- 请 产 说 书 备 查 阅

传

录

产 结

| | | |
|-----------------|-------|---|
| 1.1 | | 2 |
| 1.2 产 | | 2 |
| 1.3 产 净 约10.9KG | | 2 |

术

| | | |
|----------------|-------|---|
| 2.1 拟 | | 2 |
| 2.2 显 键 | | 2 |
| 2.3 输 输 | | 3 |
| 2.4 讯 | | 3 |
| 2.5 PROFIBUS 选 | | 3 |
| 2.6 拟 输 块 选 | | 3 |
| 2.7 环 | | 3 |

3 说

| | | |
|-----------|-------|---|
| 3.1 显 说 | | 3 |
| 3.2 键说 | | 4 |
| 3.3 义 | | 4 |
| 3.4 | | 4 |
| 3.4.1 仪 电 | | 4 |
| 3.4.2 | | 4 |
| 3.4.3 | | 4 |
| 3.4.4 | | 5 |

| | | |
|-------|---------------------|----|
| 4 | 调试 | |
| 4.1 | | 5 |
| 4.2 | 电 连 | 5 |
| 4.2.1 | 线 图..... | 5 |
| 4.2.2 | 线 图..... | 6 |
| 4.2.3 | 电 | 6 |
| 4.2.4 | 拟传 连 | 6 |
| 4.2.5 | | 7 |
| 4.2.6 | 输 输 | 7 |
| 4.2.7 | 拟 输 选 | 10 |
| 4.2.8 | 扩 PROFIBUS-DP | 10 |
| 4.3 | 标 | 11 |
| 4.3.1 | 图..... | 11 |
| 4.3.2 | 0 码 | 12 |
| 4.3.3 | 1 标 换..... | 14 |
| 4.3.4 | 2 输 | 16 |
| 4.3.5 | 别说 | 17 |
| 5 | 设 | |
| 5.1 | 应 环 F2 | 17 |
| 5.2 | 讯 F3 | 18 |
| 5.3 | 开关 输 F4 | 19 |
| 5.3.1 | 每种 开关 输 对应关 | 20 |
| 5.3.2 | 预 设 说 | 22 |

| | | | | |
|-----|-------------|----------|--------|----|
| 5.4 | 拟 输 | F5 | | 25 |
| 6 | | | | |
| 6.1 | 错误 | | | 26 |
| 6.2 | 现 | | | 26 |
| 7 | 洁 维护 | | | |
| 录A | 连续输 | F3.5=1 | | |
| 录B | 连续输 | 2 F3.5=2 | | |
| 录C | MODBUS | 讯 | F3.5=0 | |
| 录D | | 讯协议 | F3.5=3 | |
| 录E | PROFIBUS-DP | 选 | | |
| 录F | 认 | | | |
| | 单 | | | |

Ex-

XK3101B

NEPSI

GB3836.1-2010 GB3836.2-2010 GB3836.4-2010 GB3836.20-

2010

Exd[ia CGa] BT6Gb,

GYB14.1310X

1) -10°C +40°C

2) “ ”

3)

4)

5)

| Uo(V) | Io(mV) | Po(W) | | |
|-------|--------|-------|--------|--------|
| | | | Co(μF) | Lo(mH) |
| 6.3 | 240 | 0.378 | 15 | 0.3 |

Co Lo 1%

Co Co Lo 1%

50%

6)

7)

8) GB3836. 13-
 1997“
 13 ” GB3836. 15-
 2000“ 15 ” GB3836. 16-
 2006“
 16 GB50257-
 1996“ ”

1.1

1 2

Exd[ia cGa] BT6Gb

Ex-XK3101B

- 7 LED
- RS232/RS485
- 10 4 6 OC
- Profi bus
- 4-20mA/0-10V
- DC12V/300mA ()

■

—

(

)

■

1.2



2.4

RS232 RS485

M

MODBUS RTU

2.5 PROFIBUS

PROFIBUS-DP

6Mbit/s

2.6

0-10V

4-

20mA

100k+

500+

2.7

220V+10% -15%

49 51Hz

≤ 20

-10°C 40°C

20

| | |
|------|-----------------|
| | |
| | ±1/4d |
| | |
| | |
| | |
| COM1 | 1 MODBUS 1/2 |
| COM2 | 2 Profibus DP |

3.2

Ex-
XK3101B

/

3.3

| | |
|---|-----|
| | |
| | |
| | |
| | |
| / | () |
| | |
| | 1 |

3.4

3.4.1

3.4.2

(), “_no_”
“E--2”
“E--2”

3.4.3

“E--2”

“E--2”

“E--2”

3.4.4

4

4.1

L

L

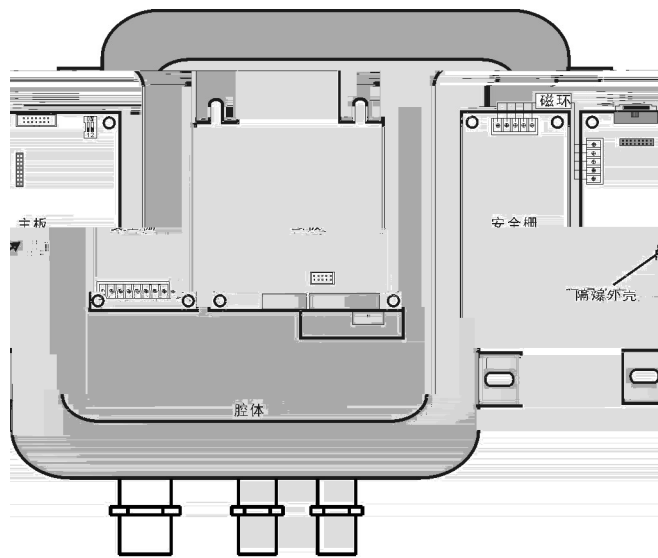
L

L

L

4.2

4.2.1



4

4.2.4

4.2.5

RS232 RS485

| | |
|--|---|
| | |
| | 1 |
| | 2 |
| | 3 |
| | 4 |
| | 5 |

4.2.6

/

4

6

| | |
|--|----|
| | |
| | 1 |
| | 2 |
| | 3 |
| | 4 |
| | 5 |
| | 6 |
| | 7 |
| | 8 |
| | 9 |
| | 10 |
| | 11 |
| | 12 |

4.2.6.1

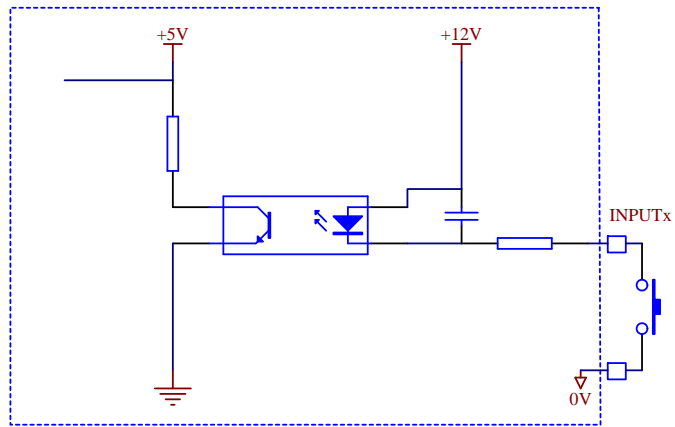
0V

50

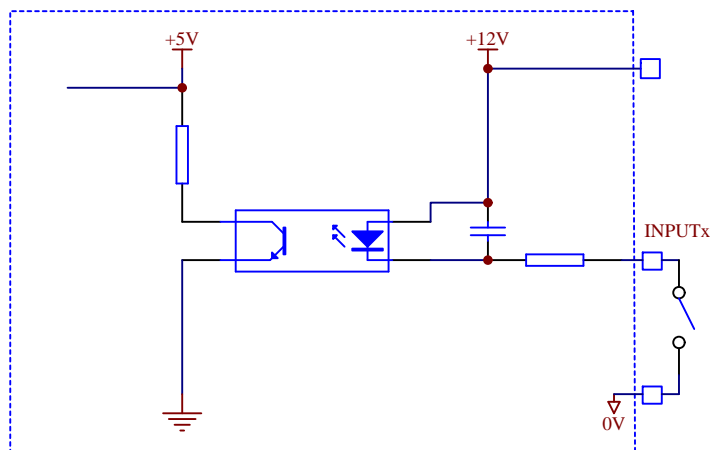
3
5

100

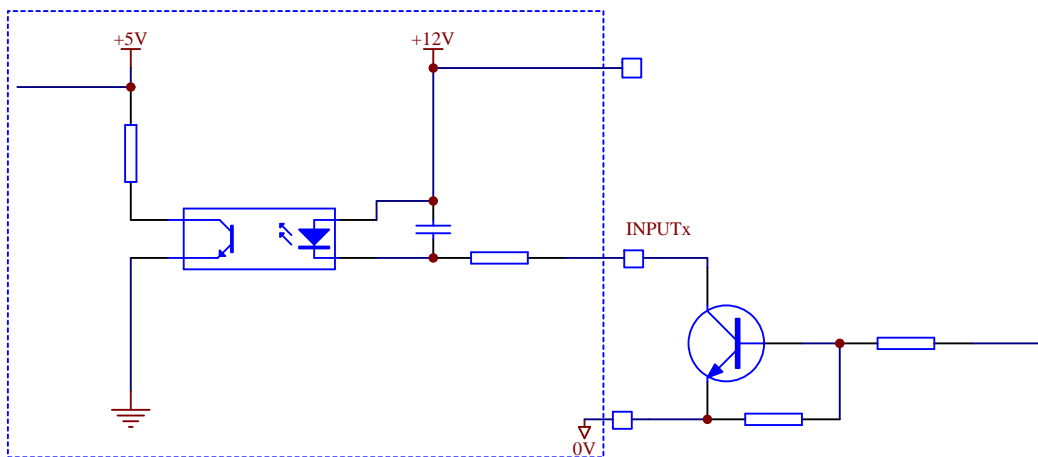
a

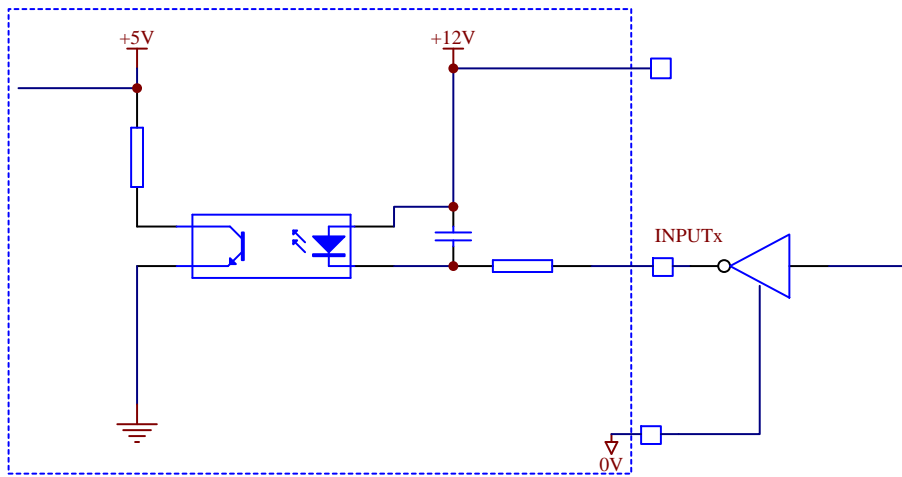


b



c





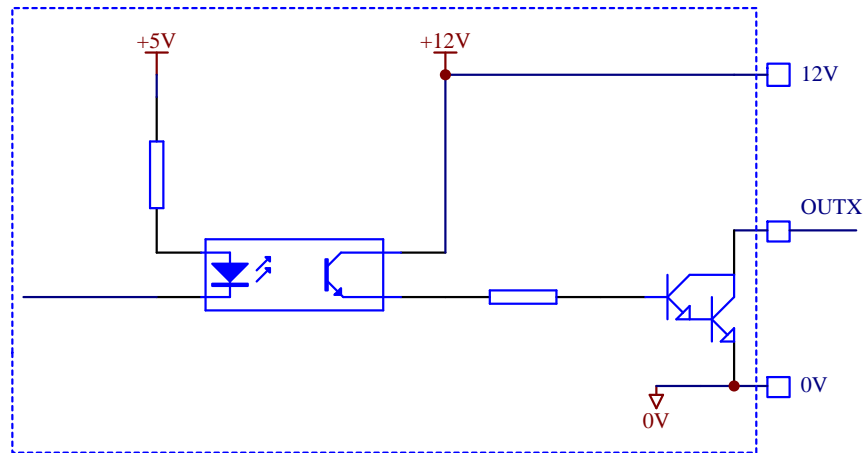
1

4.2.6.2

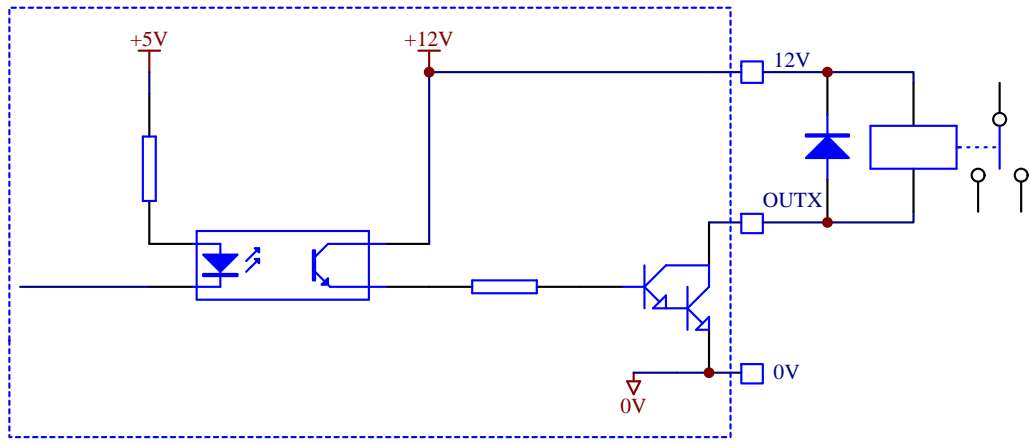
OC

50mA

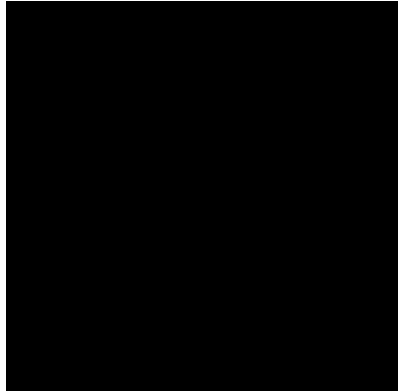
DC30V



DC12V



4.2.6.3



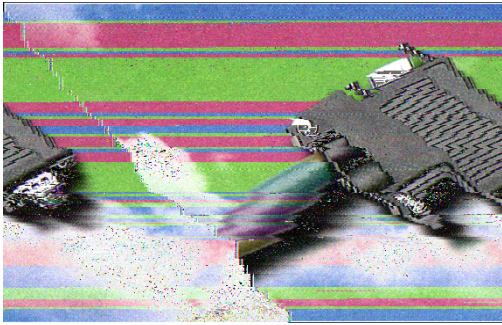
4.2.8 PROFIBUS-DP

PROFIBUS

PROFIBUS

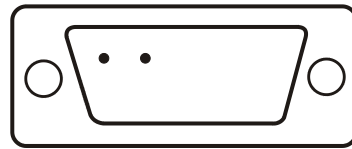
PROFIBUS

PROFBUS



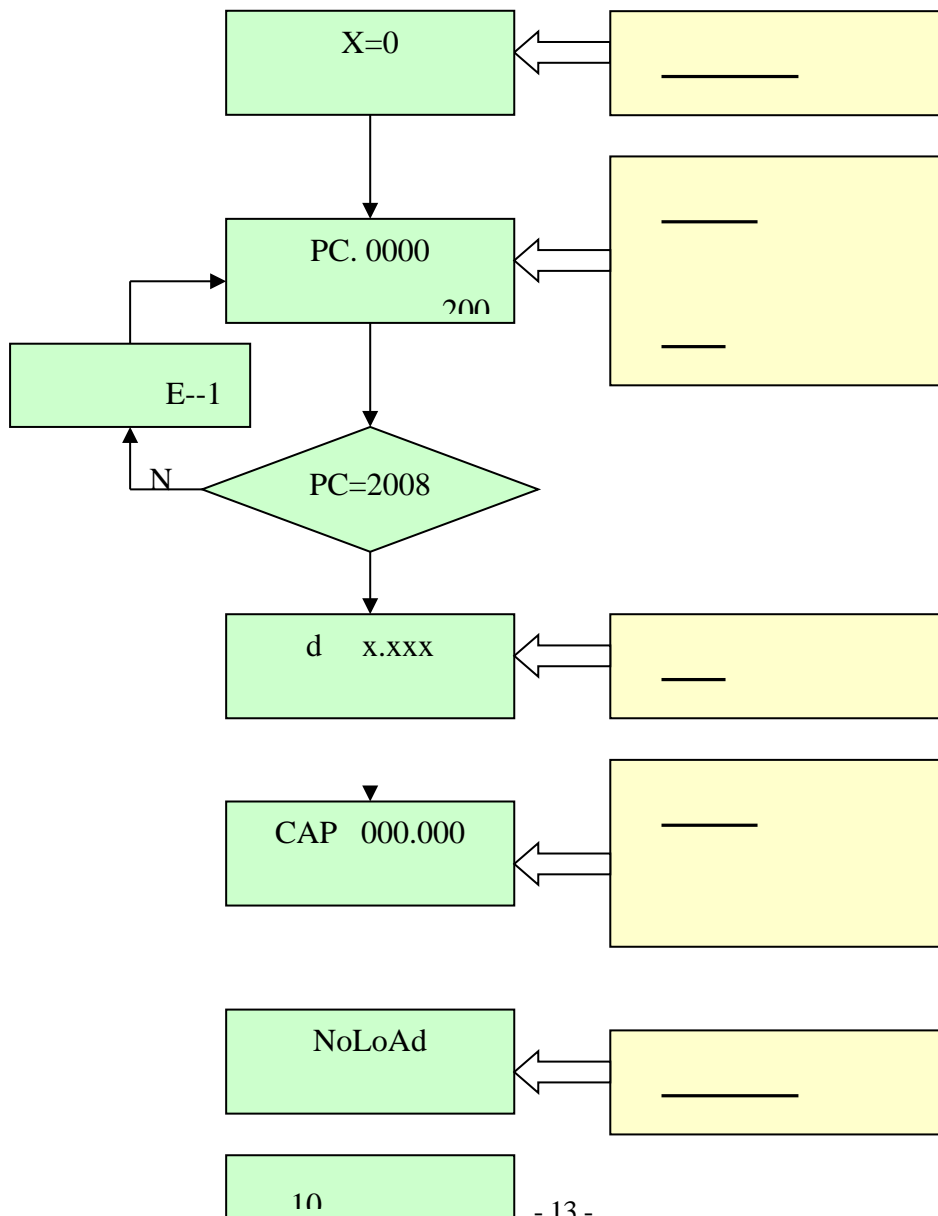
D

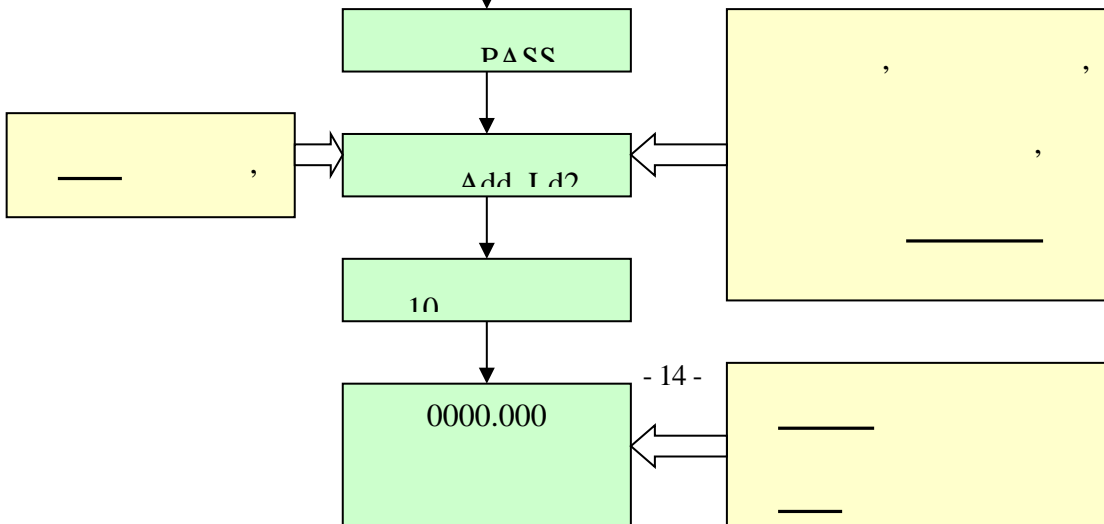
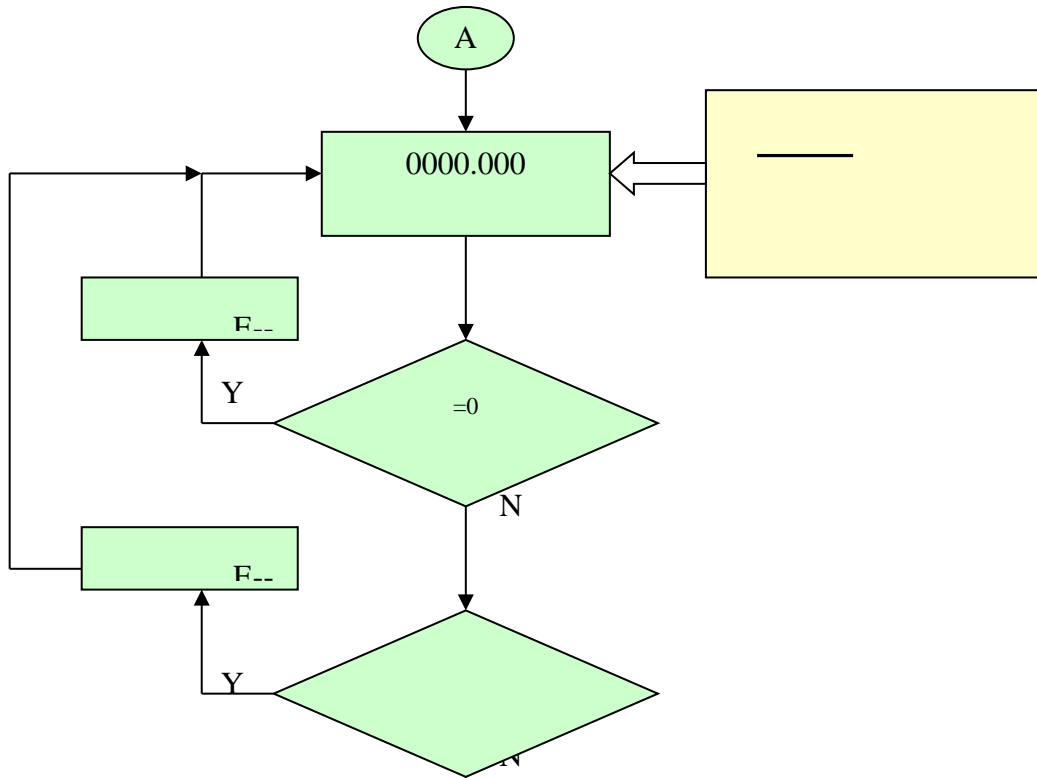
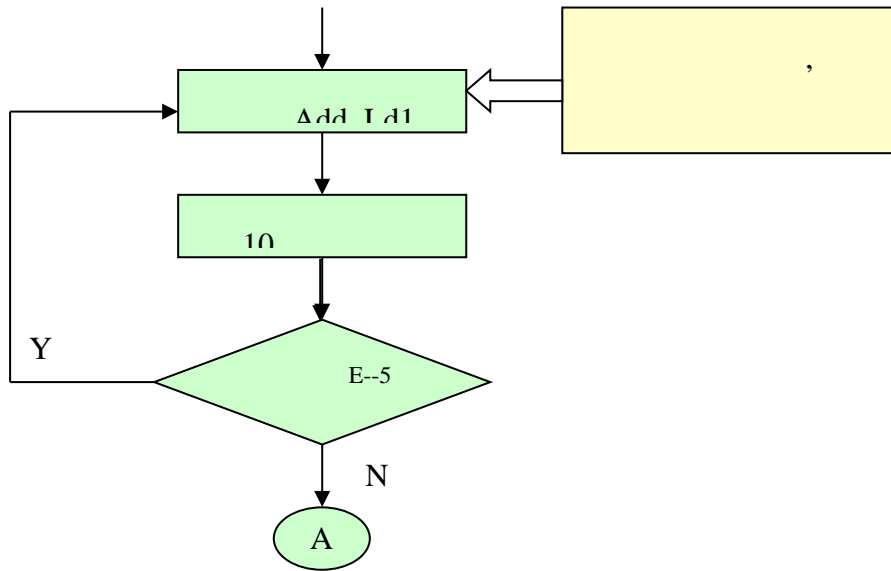
PROFIBUS



4.3.2

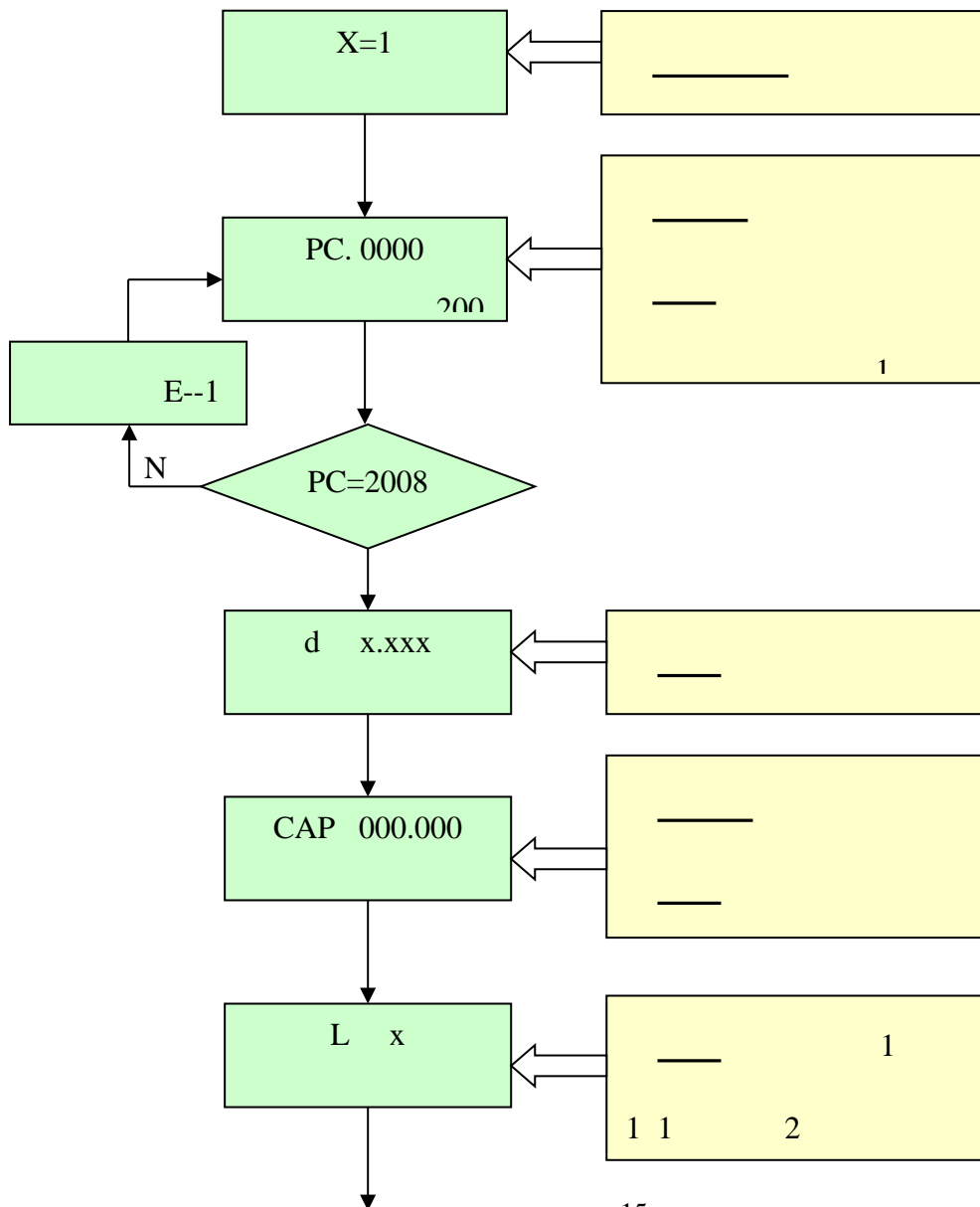
0

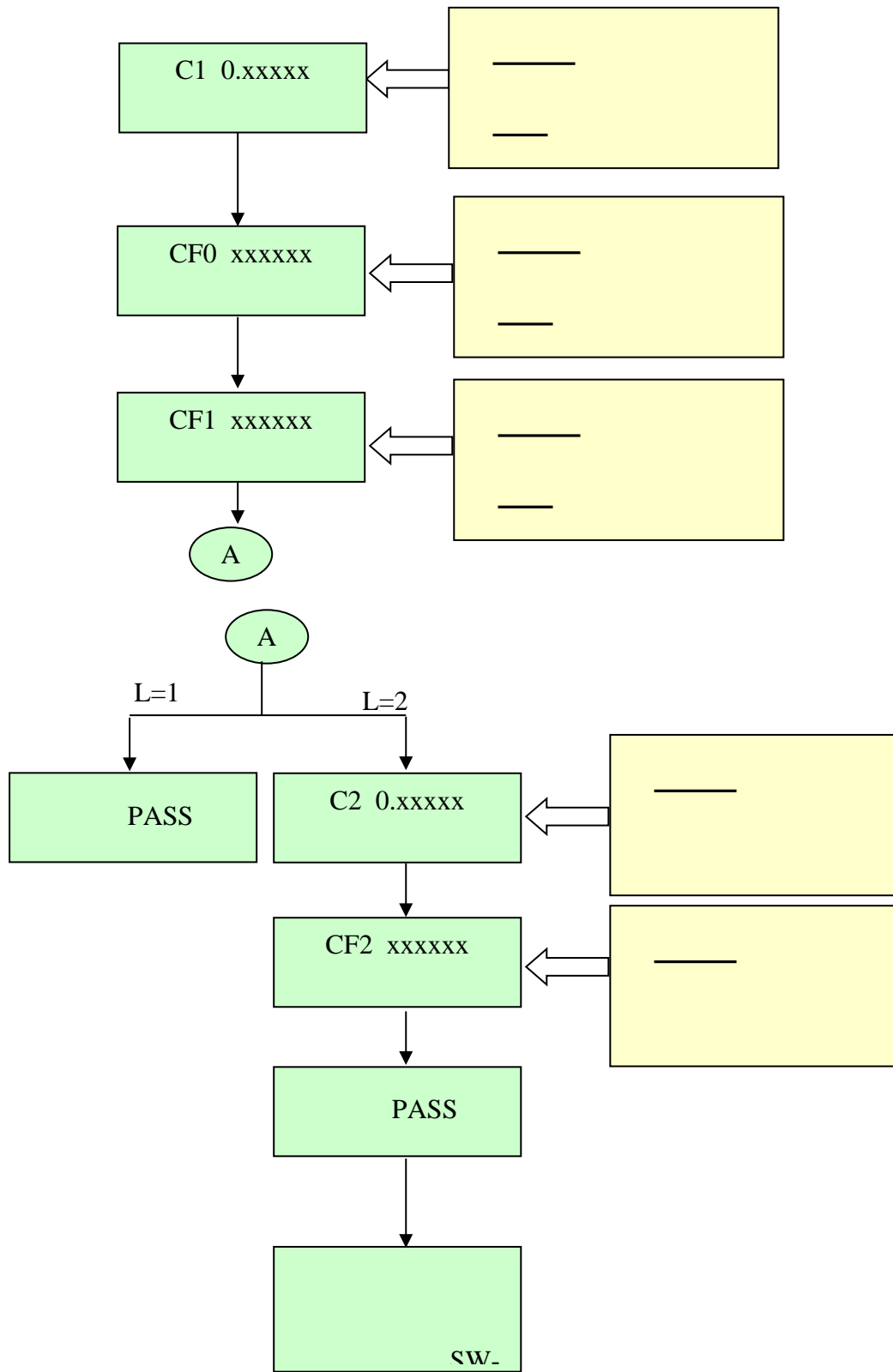




4.3.3

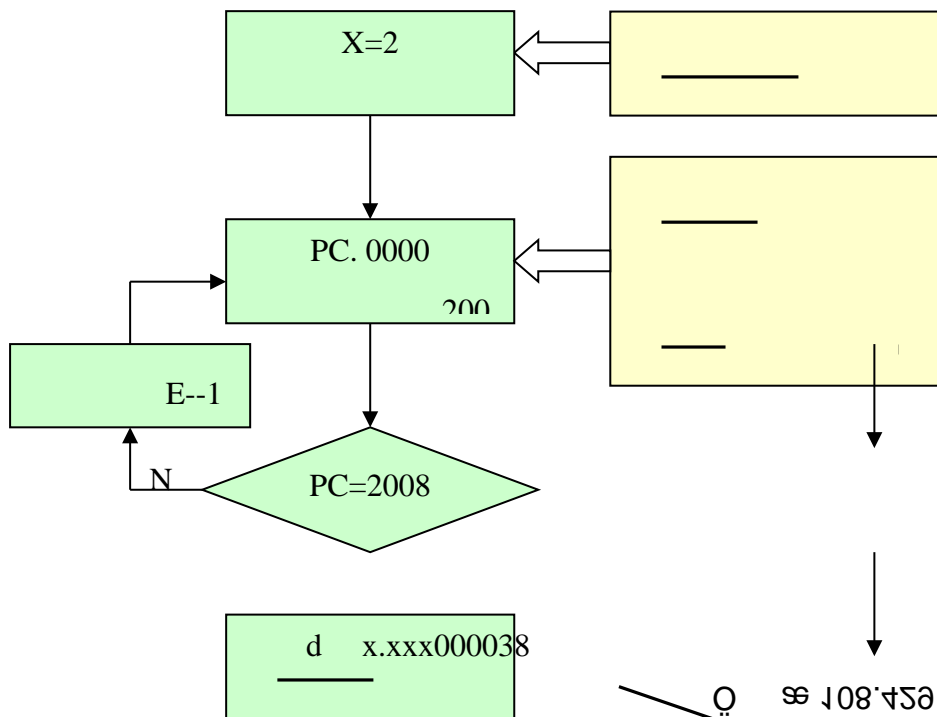
1





4.3.4

2



x=0
x=4 ±4%FS
x=10 ±10%FS
x=20 ±20%FS

x=0
x=0.5 0.5d/
x=1 1d/
x=3 3d/

x 0
x 1 0.5d
x 2 1d
x 3 3d

x=0~9

x=0
x=4 ±4%FS
x=10 ±10%FS
x=20 ±20%FS

x=1 5
x=2 10
x=3 30

x=0 0.2uV

x=2 0.6uV
x=3 1.0uV

0-15
0

0-9999

5.2

F3

x=0-9

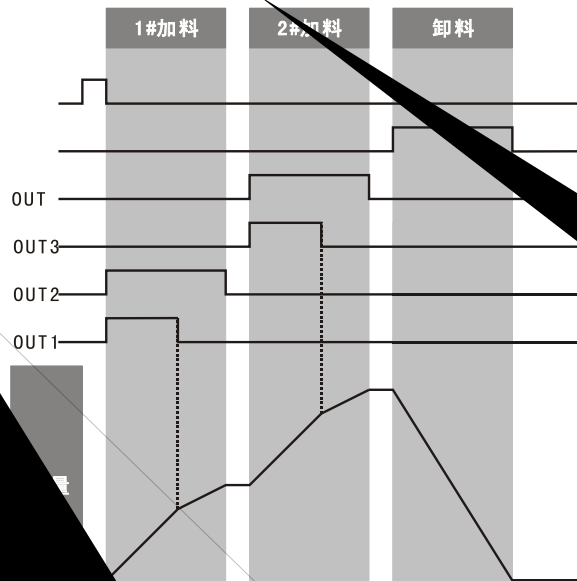
74

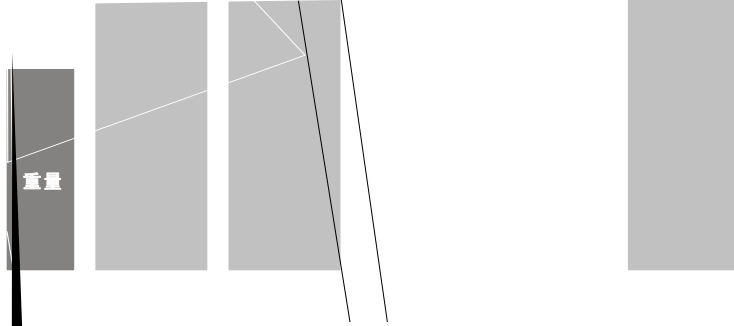
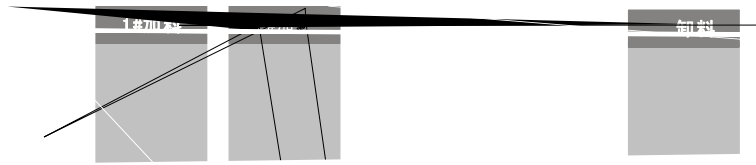
| | | |
|------|---|-----|
| ToL1 | 1 | “0” |
| ToL2 | 2 | “0” |
| ToL3 | 3 | “0” |
| ToL4 | 4 | “0” |

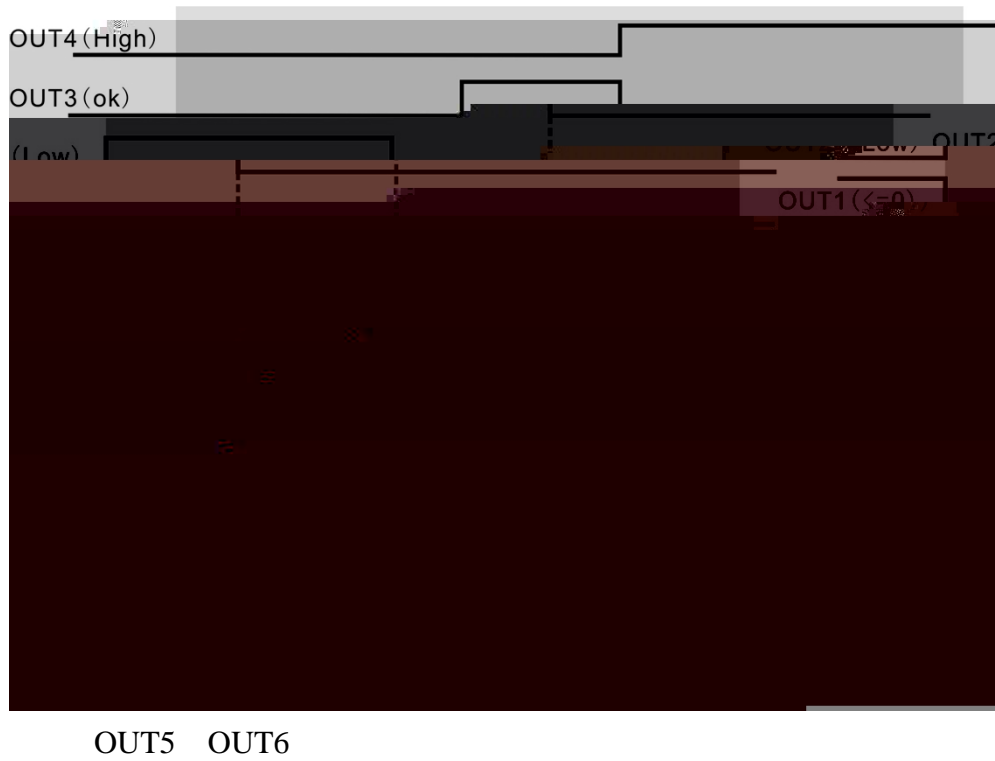
5.3.1

a

X=0

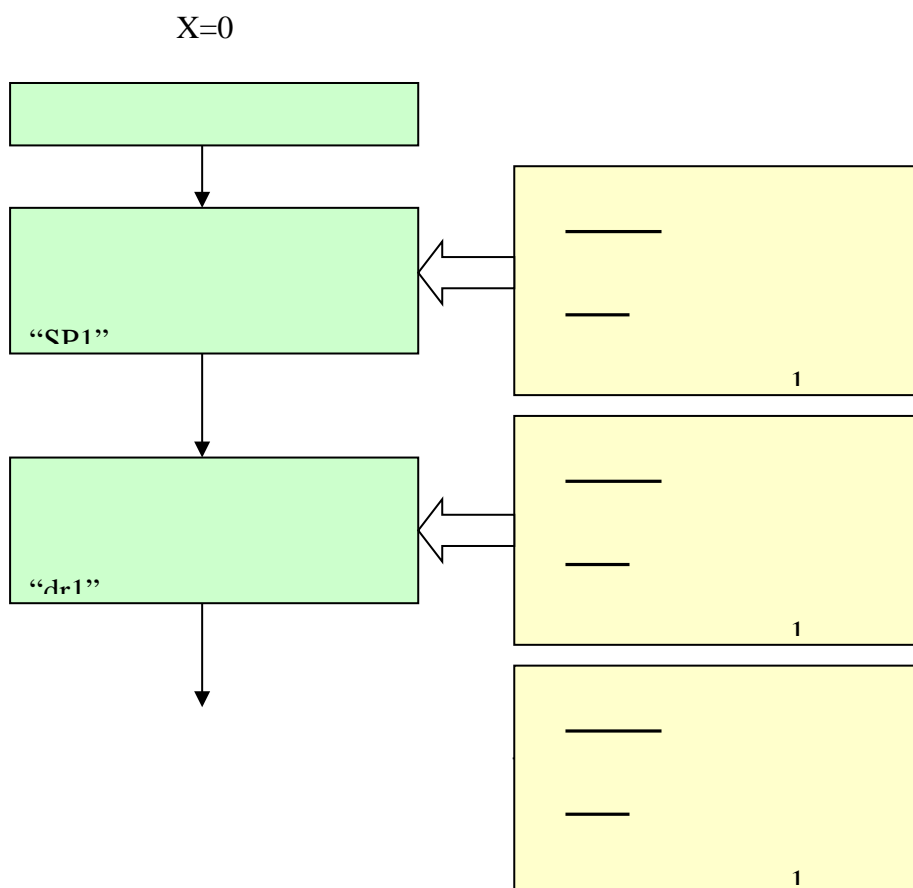


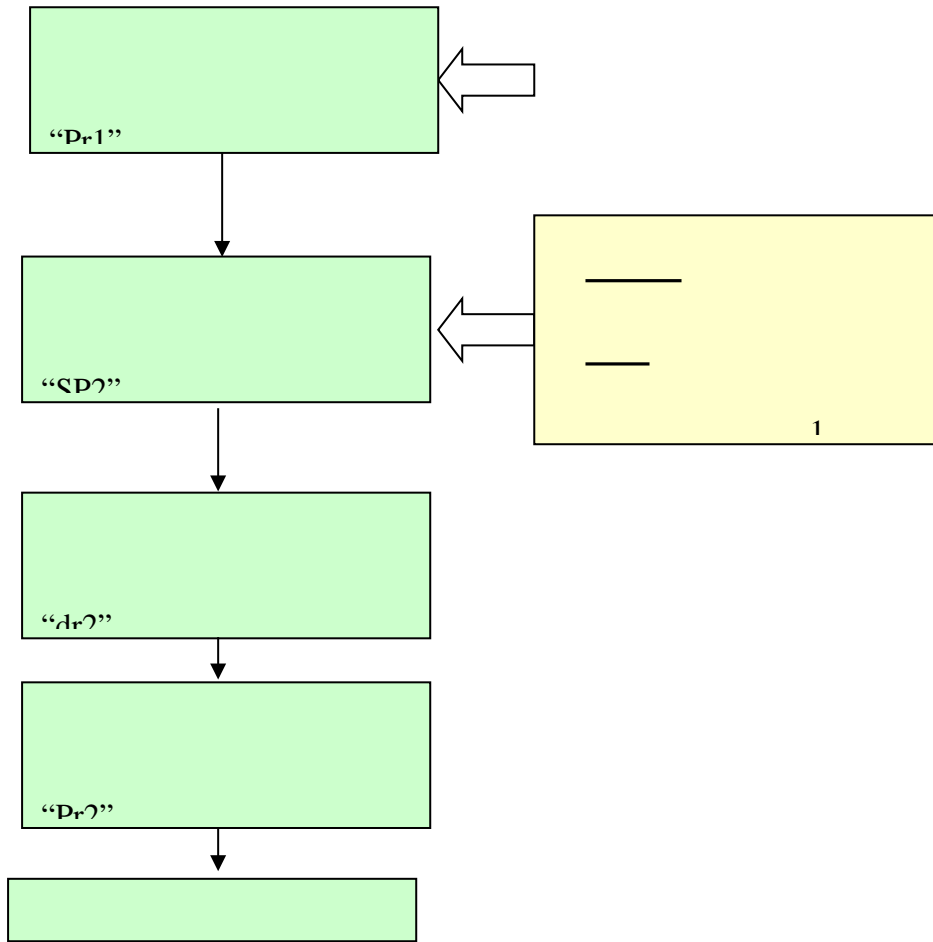




5.3.2

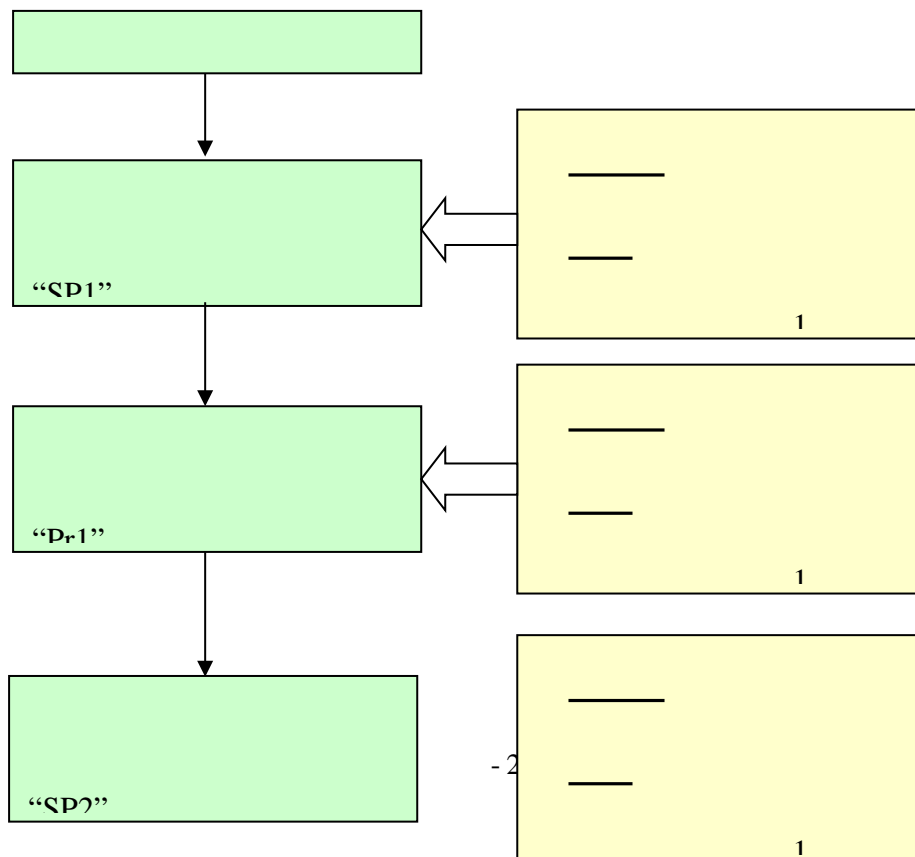
a

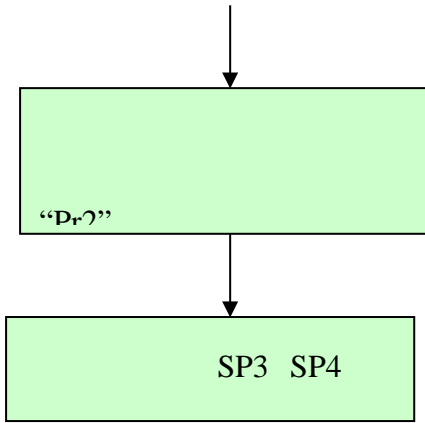
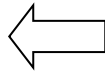




b

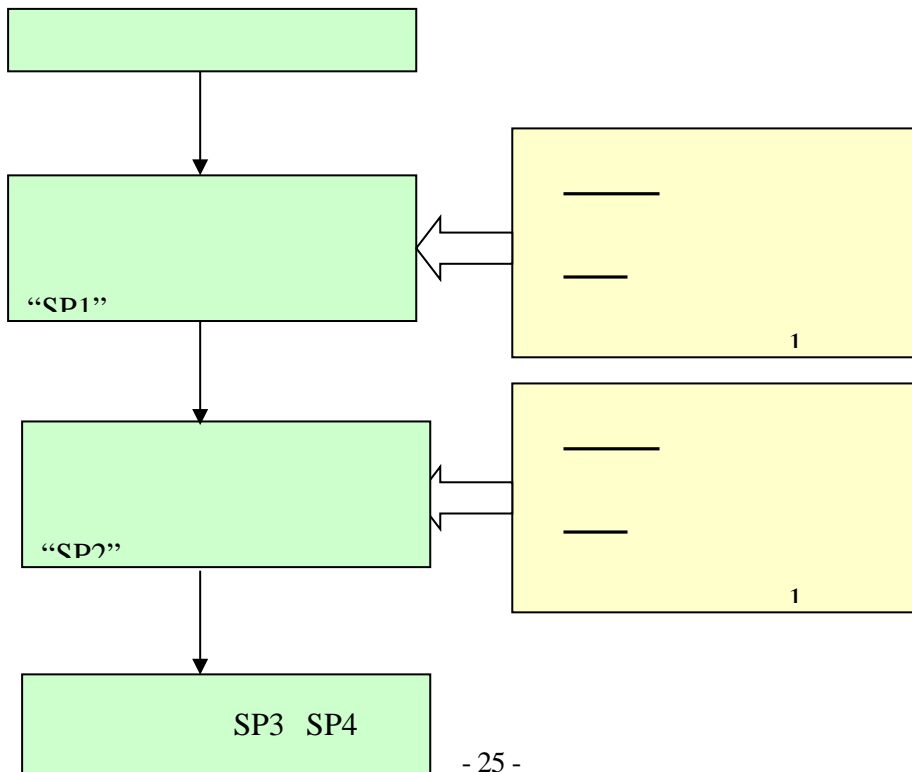
X=1



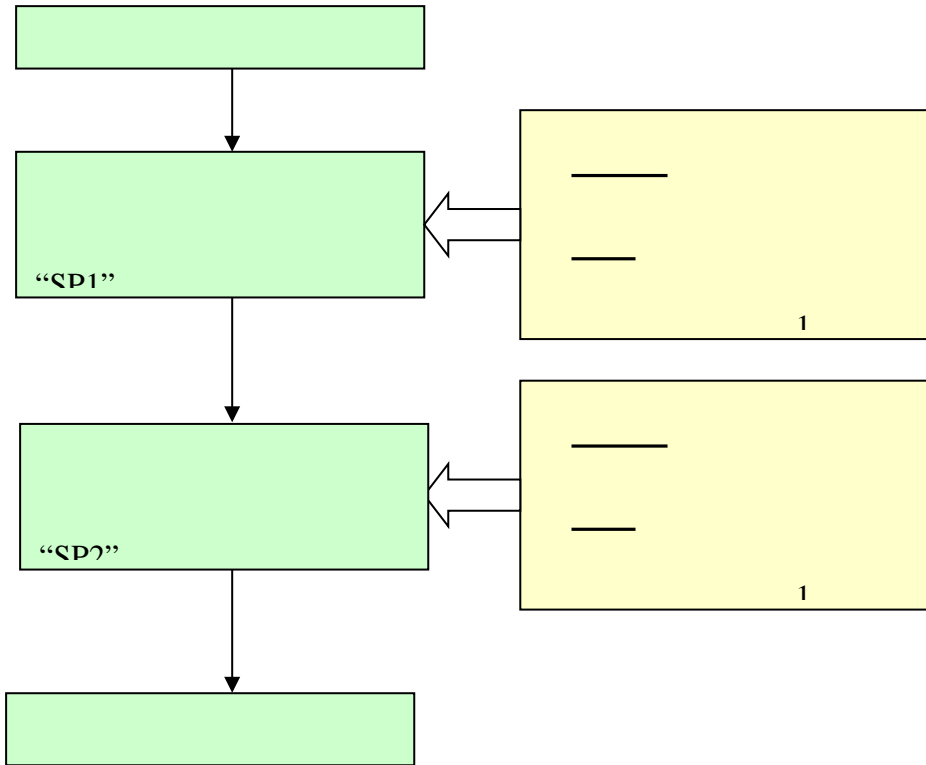


c

X=2



d X=3



5.4 F5

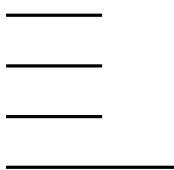
F5.1

- x=0
- x=4-20 4~20mA
- x=0-10 DC0~10V

F5.2

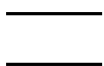
- x=0
- x=1

[0 FAS]



5.2

[0 SLO]



[S FAS]

[S SLO]

6
6.1

| | | | |
|---|---|----------|-------------|
| | | | |
| 1 | | | |
| 2 | | | |
| 3 | | 3 | |
| 4 | | Profibus | Profibus |
| 5 | | | |
| 6 | | | |
| 7 | | | 0 |
| 8 | - | | |
| 9 | | / | 1 2 3 |

| | | | |
|----|---------|--|--|
| 10 | AdC-Err | | |
|----|---------|--|--|

6.2

(1)

a

b

(2)

a

b

c

(3)

a

b

(4)

(5)

a

b

(6)

a

b

7

A

F3.5=1

18 (Bytes)

RS232 RS485

| | | | | | | | | | | | | | | | | |
|-----|---|---|---|---|---|---|---|---|---|---|---|---|---|----|-----|-----|
| 1 | | | | | | | | | | | | | | CR | CKS | |
| STX | A | B | C | X | X | X | X | X | X | X | X | X | X | X | CR | CKS |
| 1 | 2 | | | 3 | | | | 4 | | | | 5 | 6 | | | |

1. <STX> ASCII (02H)
2. A , B , C
3. , 6
4. 6
5. <CR> ASCII (ODH)
6. <CKS>

| | | | |
|---|---|---|-----|
| | | | |
| | | | |
| 0 | 1 | 2 | |
| 0 | 1 | 0 | 0 |
| 1 | 1 | 0 | 0.0 |

| | | | | | | | |
|---|---|---|---|---|---|---|---|
| | | | | | | | |
| = | — | 1 | 2 | 3 | 4 | . | 5 |

F3.4=1

“0D”

“0A”

C Modbus
[3.5 = 0]
Modbus
1
MODBUS

F3.5=0

RS232 RS485

8

MODBUS MODBUS

RTU

03 06

40001 0000

“4XXXX”

40001 0000 hex(0)

40027

001A hex(16)

03

4

modbus

| | | |
|-------|-----------|---|
| 40001 | | |
| 40002 | | |
| 40003 | | |
| 40004 | | |
| 40005 | | 1 |
| 40006 | () | 2 |
| 40007 | () | 2 |
| 40008 | () | 2 |
| 40009 | SP1(1,) | |
| 40010 | SP2(1,) | |
| 40011 | SP3(1,) | |
| 40012 | SP4(1,) | |

| | | |
|------|---|--|
| | | |
| | | |
| | | |
| | | |
| | | |
| | | |
| | | |
| | | |
| | | |
| ToL1 | 1 | |
| ToL2 | 2 | |
| ToL3 | 3 | |
| ToL4 | 4 | |
| | | |
| | | |
| | | |

| | | | |
|---|------------------------|--|---|
| | | | |
| 1 | | | 1 |
| 2 | | | 1 |
| 3 | | | 1 |
| 4 | COMBICON /3 - 5.08 | | 1 |
| 5 | COMBICON /5 - 3.81 | | 1 |
| 6 | COMBICON /12 - 3.81 | | 1 |
| 7 | COMBICON /3 - 3.81 | | 1 |
| | | | |
| | | | |
| | | | |
| | | | |

4903101323
201501V0.10

